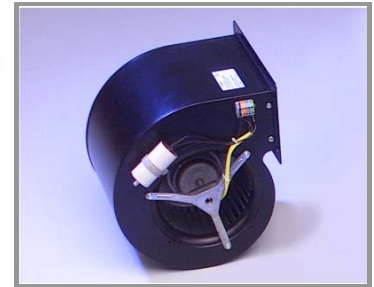


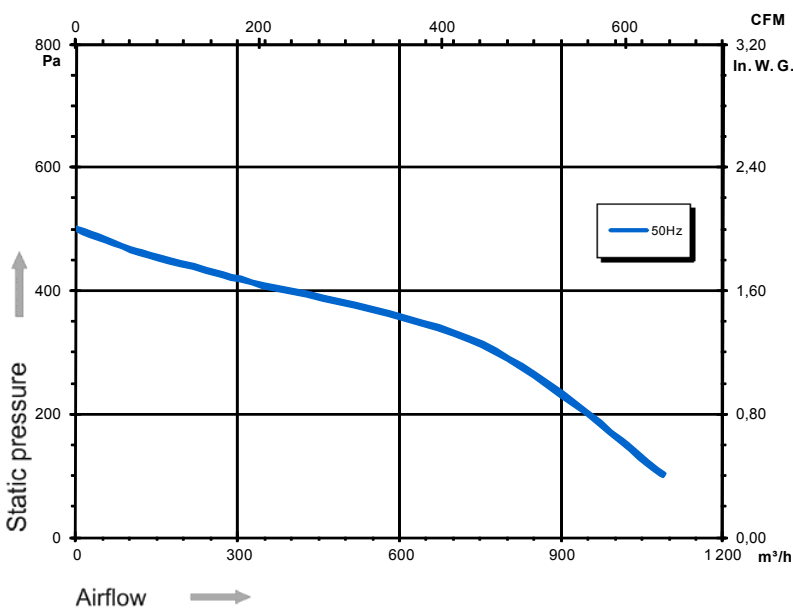
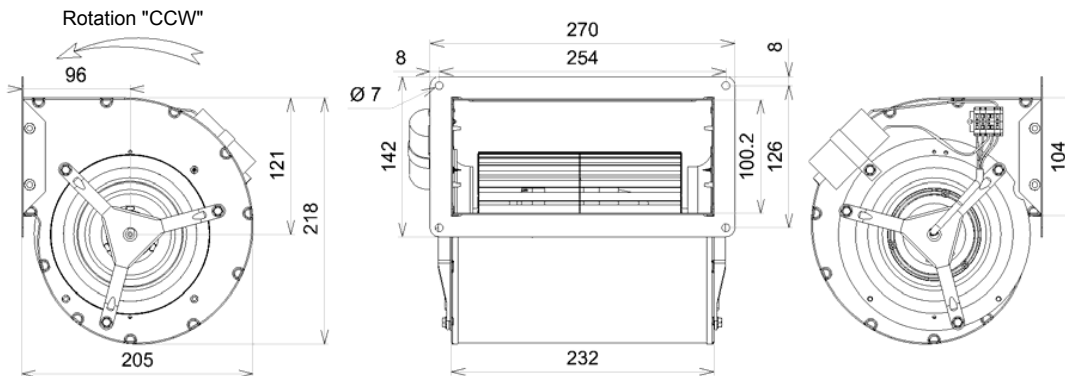
2GDF65 146x180L

P/N Z18-26

Voltage	Frequency	Input power	Current	Capacitor	Airflow	Speed rotation	Noise level	Rotation direction	Operating temperature	ErP 2013	ErP 2015
V	Hz	Wa	A	F	m³/h	RPM	dBA	↻	Min / Max	OK	NOK
230	50	340	1,49	10,0	1 090	1 940	68	L	-20°C / +50°C	OK	NOK
230	60										
230	50				641 CFM				-4°F / +122°F		
230	50										

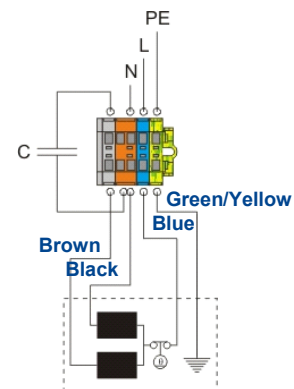


dBa : free let out



- Weight : 6,1 Kg

- Ball bearing
- Class F, thermally protected
- IP54 protection depending on installation and position as per EN60034-5
- G2.5 balancing
- Scroll housing : black paint
- Galvanized steel impeller
- Capacitor fixed on the scroll and wired to a WAGO Connector



Capacitor for 50Hz Capacitor for 60Hz Finger guard

21290

Non contractual document. All specifications are subject to change without prior notice. Picture for information only.