

## 2GDS15 120x126L

## P/N Z18-16

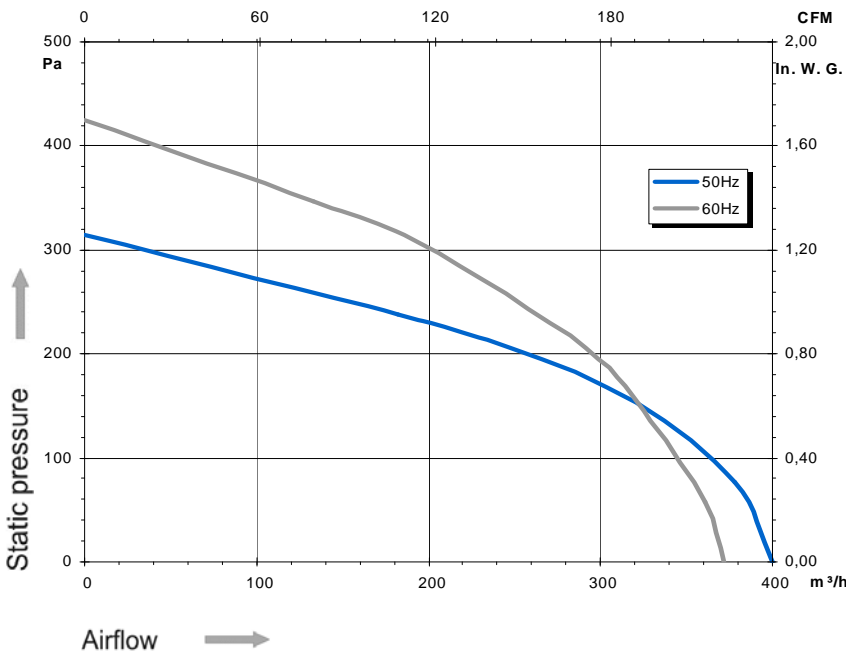
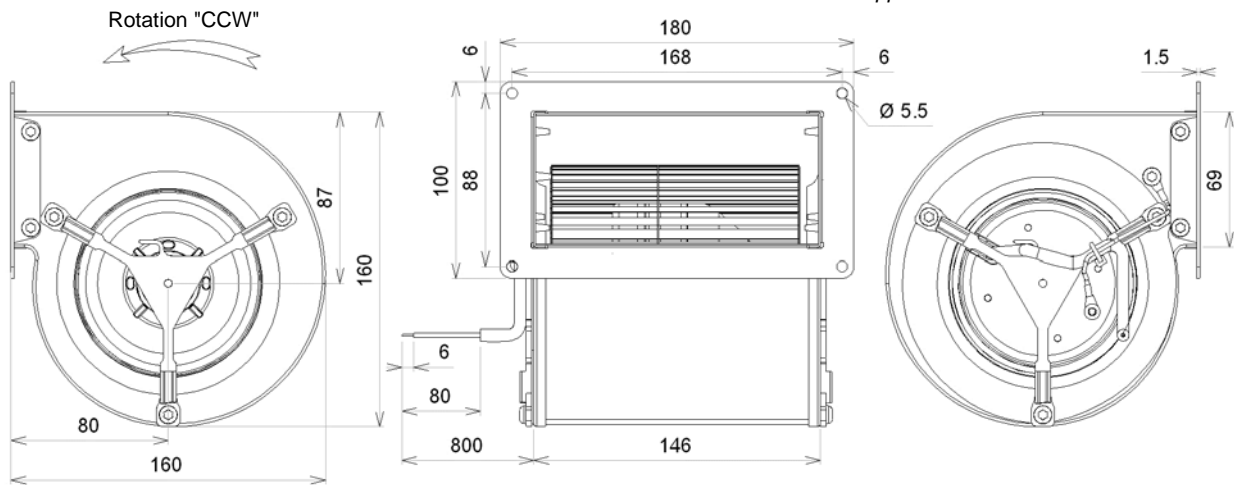
Substitute for Q02-08



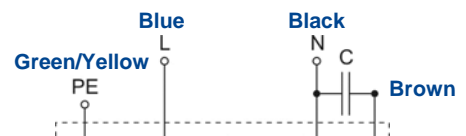
Voltage	Frequency	Input Power	Current	Capacitor	Airflow	Speed rotation	Noise level	Rotation direction	Operating temperature	ErP 2013	ErP 2015
V	Hz	Wa	A	µF	m³/h	RPM	dBA	↻	Min / Max		
230	50	100	0,47	2,5	400	1 640	58	L	-20°C / +70°C	NA	NA
230	60	110	0,53	2,5	370	1 590	57	L	-20°C / +70°C		
230	50				235 CFM				-4°F / +158°F		
230	50				217 CFM				-4°F / +158°F		

dBa : free let out

NA : Not Applicable



- Weight : 2,3 Kg
- Ball bearing
- Class F, thermally protected
- IP44 protection depending on installation and position as per EN60034-5
- G2.5 balancing
- Scroll housing : black paint
- Galvanized steel impeller



Non contractual document. All specifications are subject to change without prior notice. Picture for information only.