



# 2GRE25 140x59R

# Z10-15 p



## DATA SHEET

Replace N05-52 p

release. f - Revision 08-2013

Voltage	Frequency	Absorbed Power	Absorbed Current	Capacitor	Airflow	Rotation speed	Acoustic level	Rotation	Operational Temperature
V	Hz	W	A	µF	m³/h	RPM	dBA		Min/Max
230	50	174	0,78	4,0	540	2270	65	R	-20°C / +70°C
230	60	216	0,94	4,0	495	2100	63	R	-20°C / +50°C
230	50				317 CFM				-4°F / 158°F
230	60				291 CFM				-4°F / 122°F



dBA : free blowing

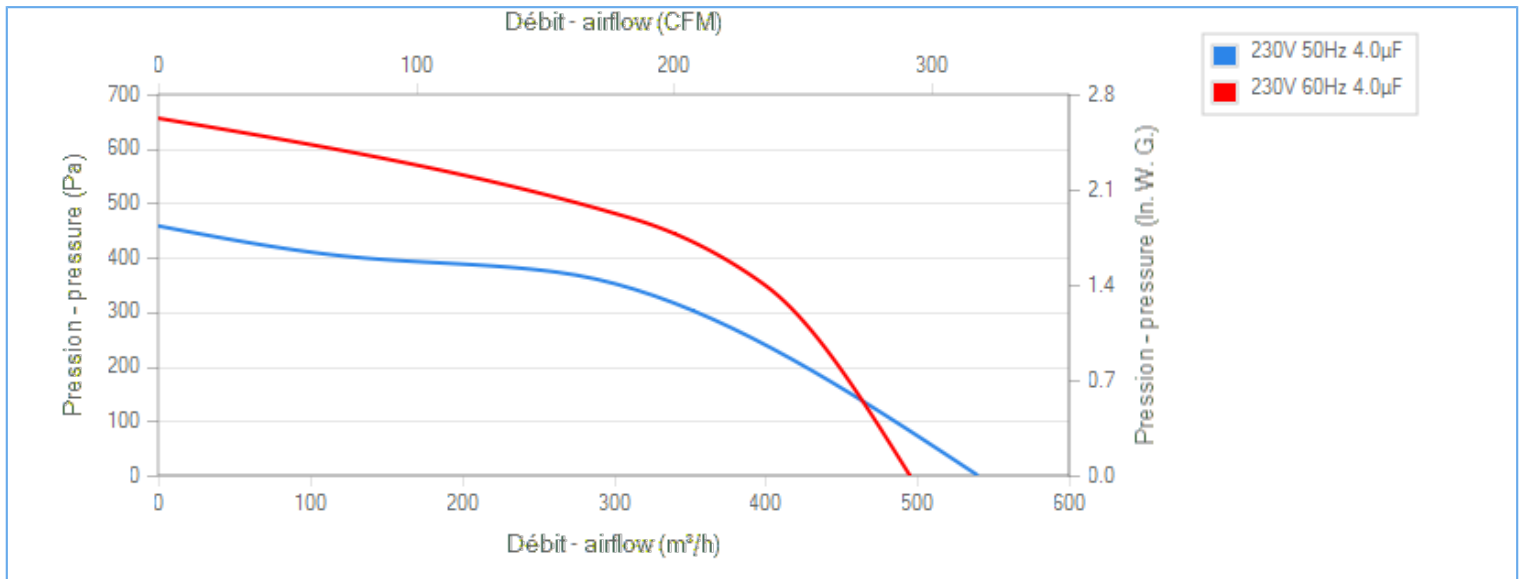
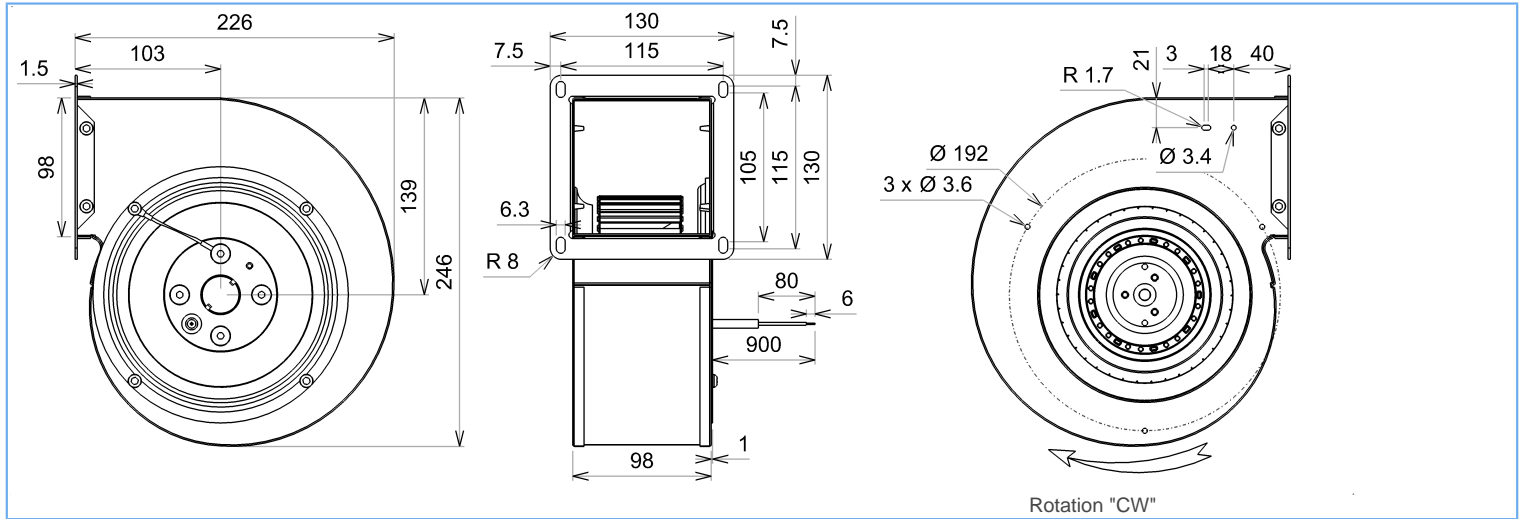
NA : not applicable

ErP 2013

NA

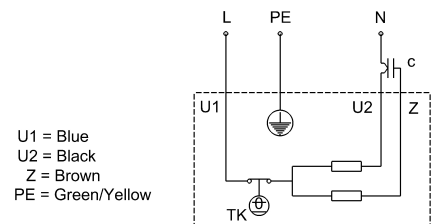
ErP 2015

NA



### Description

- .Weight : 2,9 Kg
- .Ball bearing
- .Class F, thermally protected
- .IP44 protection depending on installation and position as per EN60034-5
- .G2.5 balancing
- .Galvanized steel impeller
- .Rotor : black paint
- .Scroll housing : black paint



[www.servorecambios.com](http://www.servorecambios.com)

[www.sr-electricmotors.com](http://www.sr-electricmotors.com)

Barcelona • Telf. (+34) 93 462 08 19 • Fax. (+34) 93 462 07 88



2GRE25 140x59R

Z10-15 p



**DATA SHEET**

Replace N05-52 p

release. f - Revision 08-2013

**Data in accordance to ErP directive**

Voltage	230	V
Frequency	50	Hz
Power	0,109	kW <sup>(1)</sup>
Airflow	263	m <sup>3</sup> /h <sup>(1)</sup>
Pressure	373	Pa <sup>(1)</sup>
Rotation speed	2714	RPM <sup>(1)</sup>

(1) at optimal efficiency point

ErP directive (EU 2009/125/EC) not applicable :  
Power at optimum energy efficiency point <125W

**Accessories**

Capacitor for 50Hz	19019
Capacitor for 60Hz	19019
Finger guard	21325

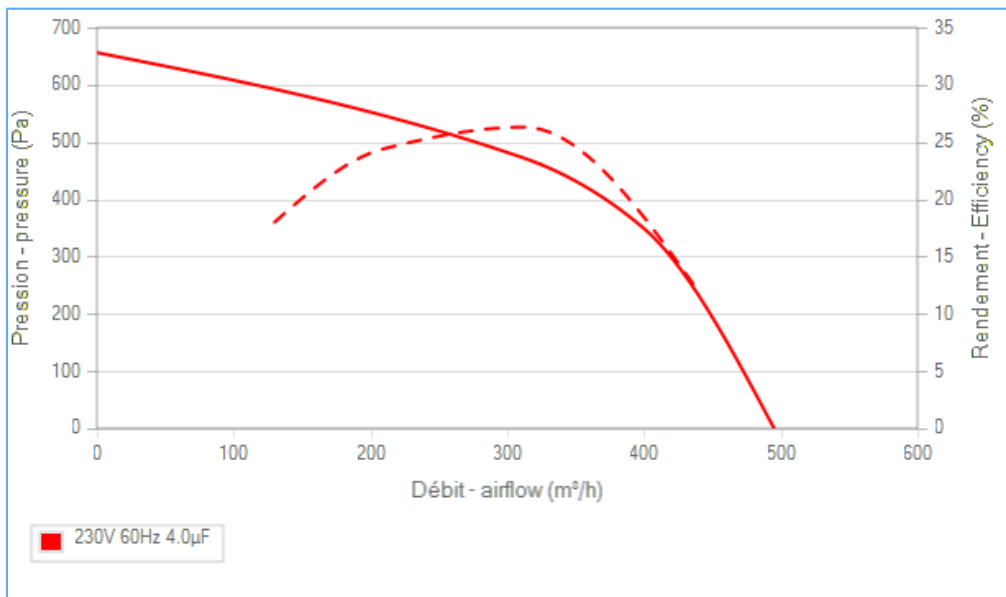
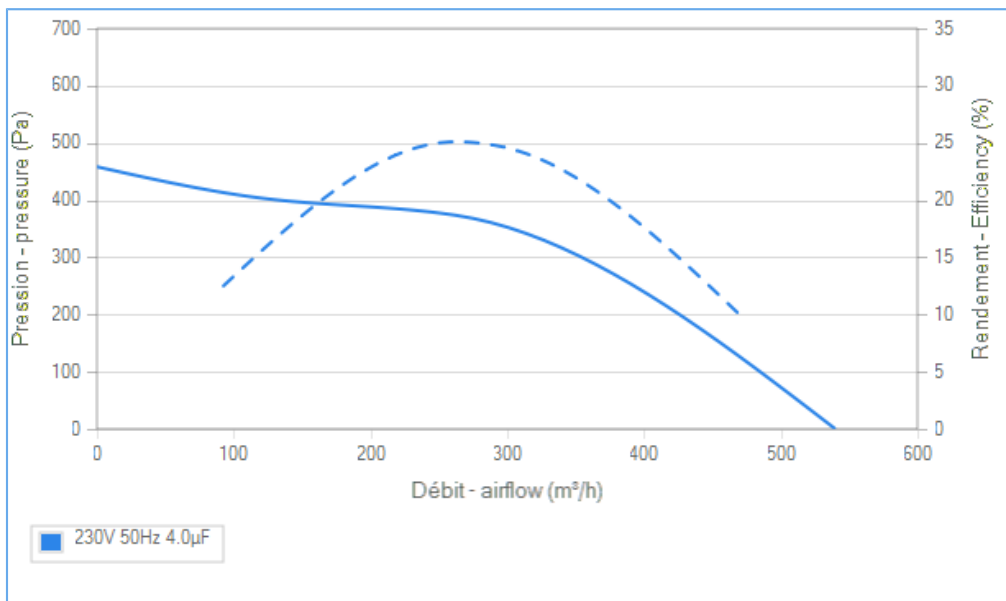
**Measurement setup**

Contact ECOFIT

**Documents**

Manuel d'utilisation  
[www.ecofit.com/site/normes](http://www.ecofit.com/site/normes)

Operating and recycling manual  
[www.ecofit.com/anglais/normes](http://www.ecofit.com/anglais/normes)



Non contractual document. All specifications are subject to change without prior notice. Picture for information only.



A041865  
2RS925CN



[www.servorecambios.com](http://www.servorecambios.com)

[www.sr-electricmotors.com](http://www.sr-electricmotors.com)

Barcelona • Telf. (+34) 93 462 08 19 • Fax. (+34) 93 462 07 88