

Ind. a - Revision : 07-2003

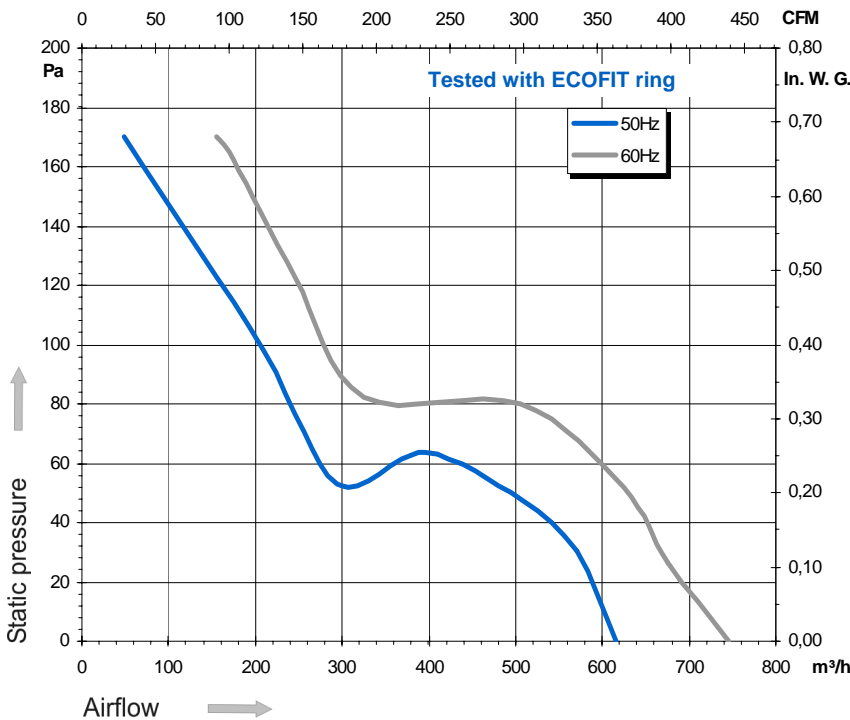
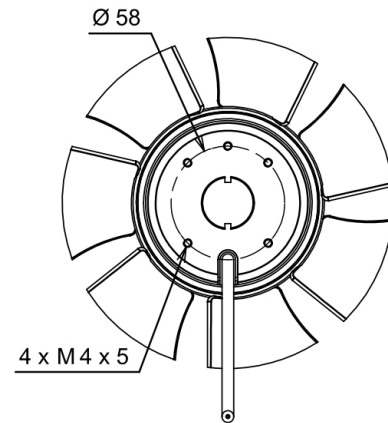
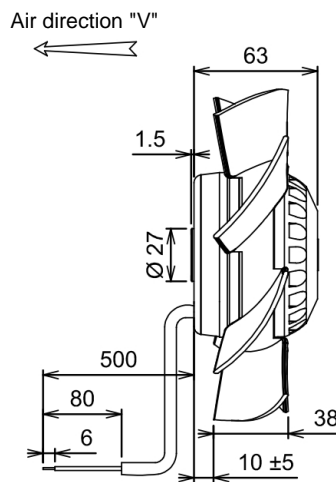
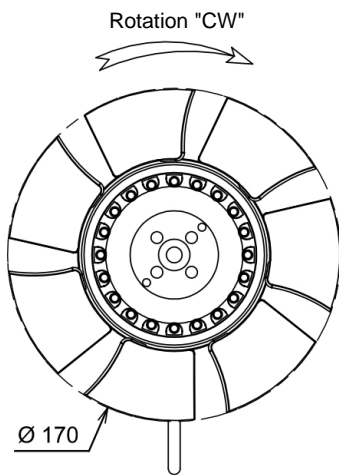
## 2VRE15 170V

## P/N B22-B1

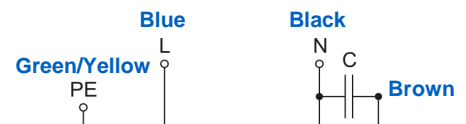
Substitute for V02-01



Voltage	Frequency	Input power	Current	Capacitor	Airflow	Speed rotation	Noise level	Rotation direction	Operating temperature
V	Hz	Wa	A	μF	m³/h	RPM	dBA	↻	Min / Max
230	50	58	0,26	2,0	615	2 660	61	R	-20°C / +70°C
230	60	68	0,30	2,0	745	3 085	65	R	-20°C / +70°C



- Ball bearing
- Class F, thermally protected
- IP44 protection
- G6.3 balancing
- Plastic impeller
- Rotor : black paint



Non contractual document. All specifications are subject to change without prior notice. Picture for information only.