

3412 NLE

## DC axial compact fan



### Nominal data

Type	3412 NLE	
Nominal voltage	VDC	12
Nominal voltage range	VDC	8 .. 15
Speed (rpm)	min <sup>-1</sup>	1950
Power consumption	W	0.8
Min. ambient temperature	°C	-20
Max. ambient temperature	°C	85
Air flow	m <sup>3</sup> /h	61
Sound power level	B	4.0
Sound pressure level	dB(A)	23

ml = Max. load · me = Max. efficiency · fa = Free air · cs = Customer specification · ce = Customer equipment  
Subject to change

3412 NLE

## DC axial compact fan

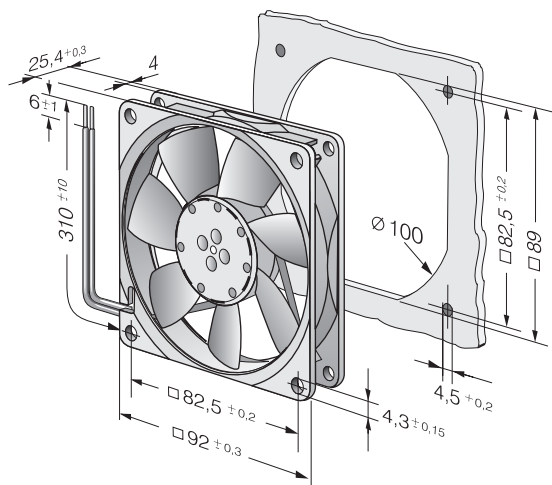
### Technical description

<b>Housing material</b>	Glass-fiber reinforced PBT plastic
<b>Impeller material</b>	Glass-fiber reinforced PA plastic
<b>Weight</b>	0.100 kg
<b>Dimensions</b>	92 x 92 x 25 mm
<b>Airflow direction</b>	Exhaust over struts
<b>Direction of rotation</b>	Counterclockwise, viewed toward rotor
<b>Storage</b>	Ball bearing
<b>Service life L10 at 40 °C</b>	80000 h
<b>Service life L10 at maximum temperature</b>	17500 h
<b>Cable</b>	Leads AWG 24, TR 64, stripped and tin-plated.
<b>Motor protection</b>	Protection against reverse polarity and blocked rotor.
<b>Approval</b>	VDE, CSA, UL

3412 NLE

# DC axial compact fan

## Product drawing



## Curves: Air performance

