

DV 6224 TD

## DC diagonal compact fan

sickled blades (S series)



### Nominal data

Type	DV 6224 TD	
Nominal voltage	VDC	24
Nominal voltage range	VDC	16 .. 36
Speed	min <sup>-1</sup>	5500
Power input	W	89
Min. ambient temperature	°C	-20
Max. ambient temperature	°C	60
Air flow	m <sup>3</sup> /h	700
Sound power level	B	7.8
Sound pressure level	dB(A)	69

ml = max. load · me = max. efficiency · rfa = running at free air · cs = customer specs · cu = customer unit  
Subject to alterations

### Technical features

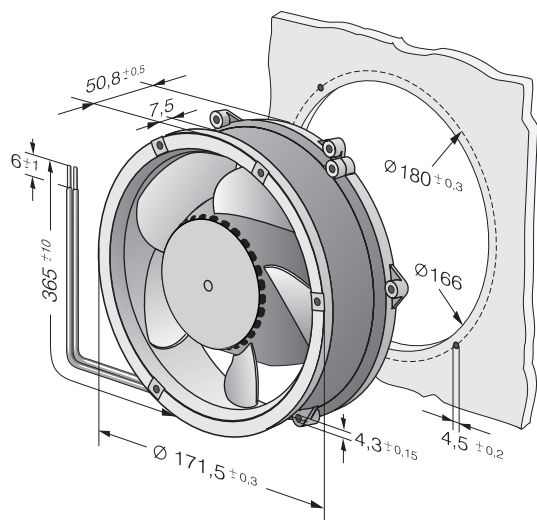
<b>Dimensions</b>	172 Ø x 51 mm
<b>General description</b>	<p>Particular design features:</p> <p>Diagonal fan with low noise when there is a high pressure saddle curve.</p> <p>Very smooth running 3-phase fan drive.</p> <p>Very rigid compression curve for high air flow at high counterpressure.</p> <p>Control inputs and alarm and speed signals available on request.</p> <p>General features:</p> <p>Housing made of aluminium, impeller made of fibreglass-reinforced PA; housing with grounding lug for M4 x 8 screw (Torx). 48 V version incl. screws.</p> <p>Electronic commutation completely integrated.</p> <p>Connection via single strands AWG 22, TR 64, bared and tin-plated.</p> <p>Air exhaust over bars. Direction of rotation counter-clockwise seen on rotor.</p> <p>Mass: 820 g.</p>
<b>Connection line</b>	Single strands AWG 22, TR 64, bared and tin-plated.
<b>Direction of rotation</b>	Left, looking at rotor
<b>Direction of air flow</b>	Air exhaust over bars
<b>Bearing</b>	Ball bearings
<b>Lifetime L10 at 40 °C</b>	65000 h
<b>Lifetime L10 at maximum temperature</b>	40000 h
<b>Mass</b>	0.820 kg
<b>Housing material</b>	Aluminum. Housing with grounding lug for screw M4 x 8 (TORX).
<b>Material of impeller</b>	Fiberglass-reinforced PA plastic
<b>Motor protection</b>	Protected against reverse polarity and locking.
<b>Approval</b>	VDE, CSA, UL

DV 6224 TD

# DC diagonal compact fan

sickled blades (S series)

## Product drawing



## Charts: Air flow

