

2GDS35 133x190L **

P/N L23-A6

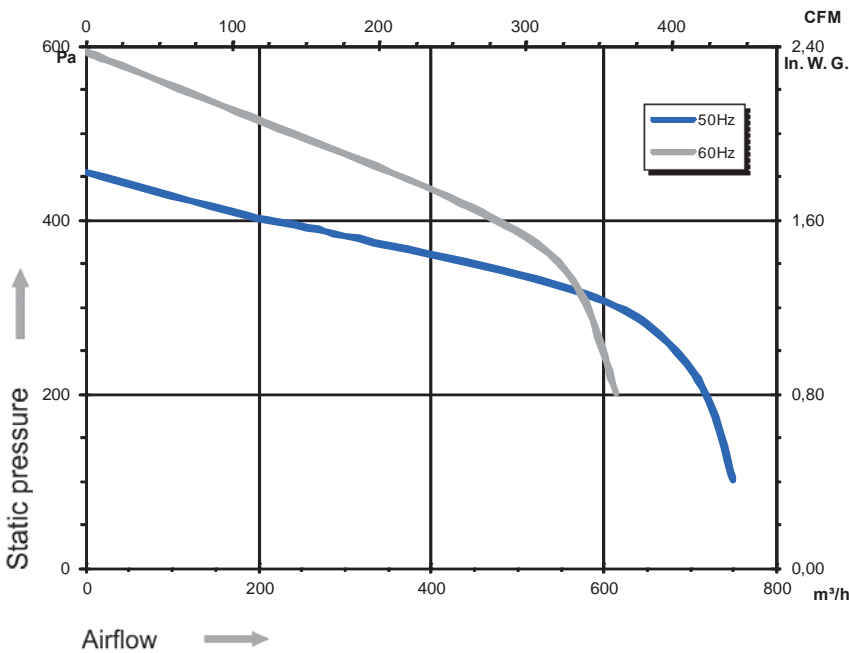
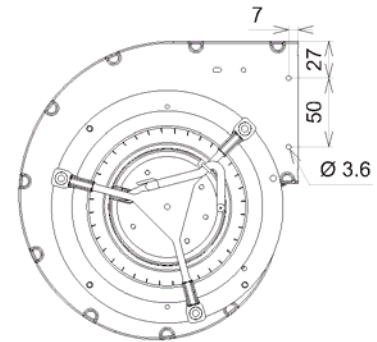
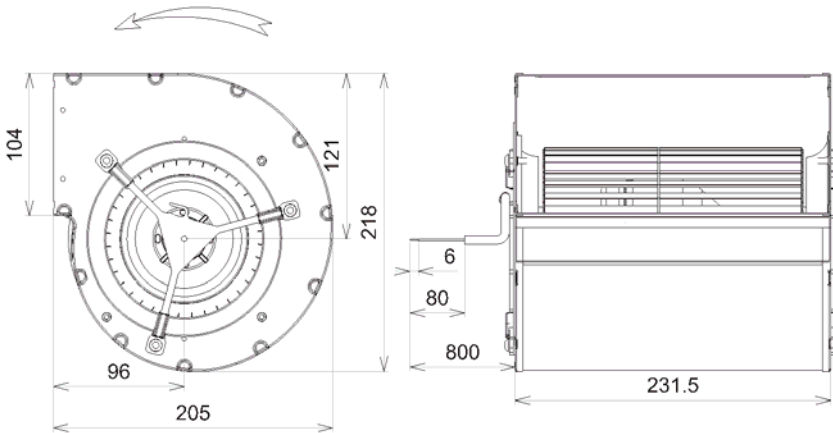
Substitute for Z18-04



Voltage	Frequency	Input power	Current	Capacitor	Airflow	Speed rotation	Noise level	Rotation direction	Operating temperature	ErP 2013	ErP 2015
V	Hz	Wa	A	μF	m³/h	RPM	dBA	↻	Min / Max		
230	50	234	1,02	4,0	750	1 905	57	L	-20°C / +60°C	OK	OK
230	60	246	1,08	4,0	615	2 040	54	L	-20°C / +40°C		
230	50				441 CFM				-4°F / +140°F		
230	50				361 CFM				-4°F / +104°F		

dBa : free let out

Rotation "CCW"



- Weight : 4,0 Kg

- Ball bearing
- Class F, thermally protected
- IP44 protection depending on installation and position as per EN60034-5
- G2.5 balancing
- Ring : black paint
- Galvanized steel impeller



Capacitor for 50Hz	Capacitor for 60Hz	Finger guard	Connector
19019	19019	21338	09145

