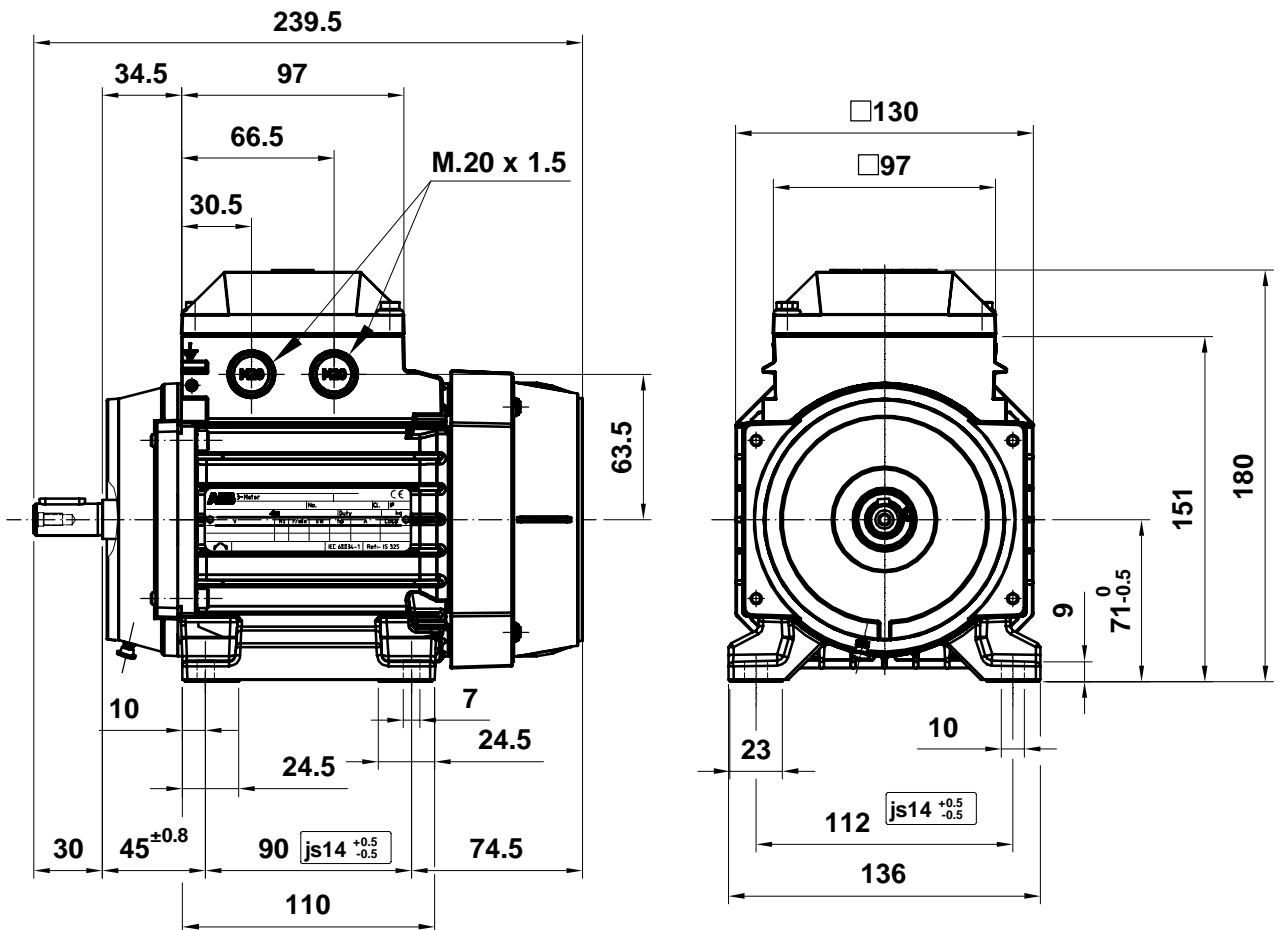
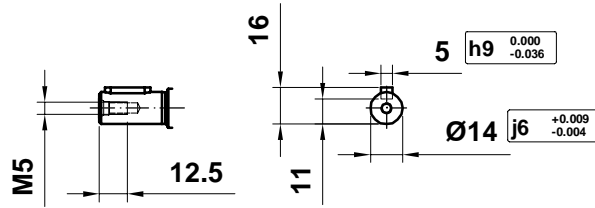


# Motor data sheet

## M2AA 71A 6

Definition	Data	Unit	Remarks
Product code	3GAA073001-***E		
Voltage code	D		
Type/Frame	M2AA 71A 6		
Design	CENELEC		
Efficiency class	IE2		
Rated output $P_N$	0.18	kW	
Rated voltage $U_N$	400	V D	± 5 % (IEC 60034-1)
Rated frequency $f_N$	50	Hz	± 2 % (IEC 60034-1)
Rated speed $n_N$	885	r/min	
Rated current $I_N$	0.61	A	
Starting current $I_S/I_N$	3.1		
Nominal torque $T_N$	1.94	Nm	
Locked rotor torque $T_l/T_N$	1.7		
Maximum torque $T_b/T_N$	1.9		
Efficiency - full load 100%	59.5	%	Acc. to IEC 60034-2-1
Efficiency - 75%	61.1	%	
Efficiency - 50%	56.5	%	
Power factor - full load 100%	0.71		
Bearing DE/NDE	6203-2Z/C3 6202-2Z/C3		
Sound pressure level $L_{pA}$ dB	42	dB(A)	+3dB(A)
Moment of inertia $J = \frac{1}{4} GD^2$ kgm <sup>2</sup>	0	kg-m <sup>2</sup>	
Weight	5.5	kg	



# M2AA 071

<b>Motor Dimension Print</b>	Motor Type :	Document N° :
	M2AA 071	A1.5400 / 3D A2.5010
Description :		
Motor foot mounted IM1001 / Motor con patas IM1001		
Unit : Discrete Automation and Motion - Fáb. Motores	Issued by : ERM / L. Moreno	Replaces :