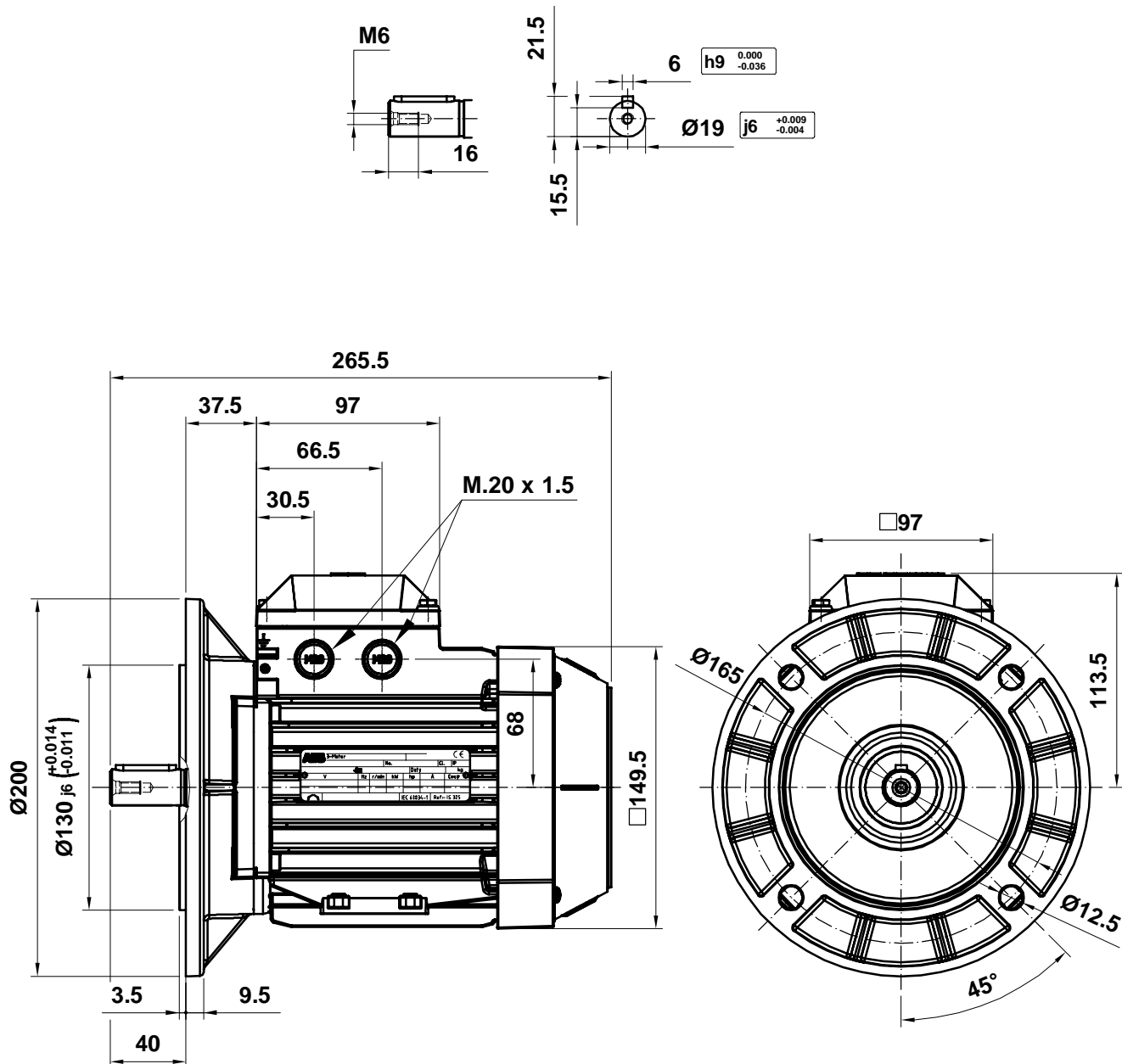


Motor data sheet

M2AA 80A 6

Definition	Data	Unit	Remarks
Product code	3GAA083001-***E		
Voltage code	D		
Type/Frame	M2AA 80A 6		
Design	CENELEC		
Efficiency class	IE2		
Rated output P_N	0.37	kW	
Rated voltage U_N	400	V D	± 5 % (IEC 60034-1)
Rated frequency f_N	50	Hz	± 2 % (IEC 60034-1)
Rated speed n_N	905	r/min	
Rated current I_N	1.07	A	
Starting current I_S/I_N	3.6		
Nominal torque T_N	3.9	Nm	
Locked rotor torque T_l/T_N	1.6		
Maximum torque T_b/T_N	2.1		
Efficiency - full load 100%	68	%	Acc. to IEC 60034-2-1
Efficiency - 75%	70.7	%	
Efficiency - 50%	68.3	%	
Power factor - full load 100%	0.73		
Bearing DE/NDE	6204-2Z/C3 6203-2Z/C3		
Sound pressure level L_{pA} dB	47	dB(A)	+3dB(A)
Moment of inertia $J = \frac{1}{4} GD^2$ kgm ²	0	kg-m ²	
Weight	9	kg	



M2AA 080

Motor Dimension Print

Motor Type :

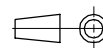
M2AA 080

Document N° :

A1.5406 / 3D A2.5016

Description :

Motor flange mounted IM3001 / Motor con brida IM3001



Unit : Discrete Automation & Motion - Fáb. Motores

Issued by : ERM / L.Moreno

Replaces :