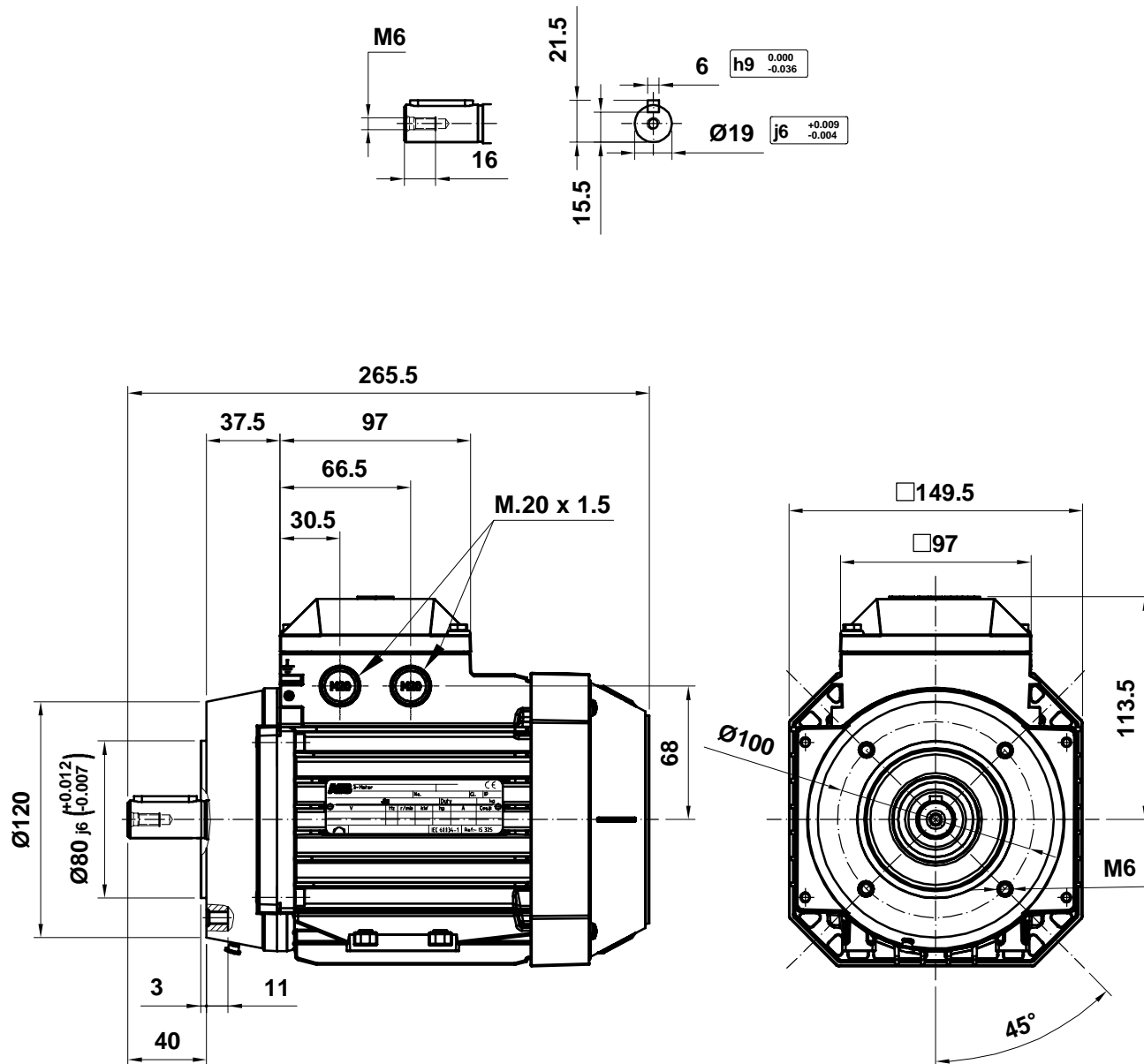


# Motor data sheet

## M2AA 80D 4

Definition	Data	Unit	Remarks
Product code	3GAA082214-***E		
Voltage code	D		
Type/Frame	M2AA 80D 4		
Design	CENELEC		
Efficiency class	IE2		
Rated output $P_N$	0.75	kW	
Rated voltage $U_N$	400	V D	± 5 % (IEC 60034-1)
Rated frequency $f_N$	50	Hz	± 2 % (IEC 60034-1)
Rated speed $n_N$	1415	r/min	
Rated current $I_N$	1.65	A	
Starting current $I_S/I_N$	5.9		
Nominal torque $T_N$	5	Nm	
Locked rotor torque $T_l/T_N$	2.6		
Maximum torque $T_b/T_N$	3.2		
Efficiency - full load 100%	79.8	%	Acc. to IEC 60034-2-1
Efficiency - 75%	81.3	%	
Efficiency - 50%	79.9	%	
Power factor - full load 100%	0.82		
Bearing DE/NDE	6204-2Z/C3 6203-2Z/C3		
Sound pressure level $L_{pA}$ dB	50	dB(A)	+3dB(A)
Moment of inertia $J = \frac{1}{4} GD^2$ kgm <sup>2</sup>	0	kg-m <sup>2</sup>	
Weight	12	kg	



## M2AA 080

### Motor Dimension Print

Motor Type :

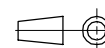
M2AA 080

Document N° :

A1.5407 / 3D A2.5017

Description :

Motor flange mounted IM3601 / Motor con brida IM3601



Unit : Discrete Automation & Motion - Fáb. Motores

Issued by : ERM / L.Moreno

Replaces :