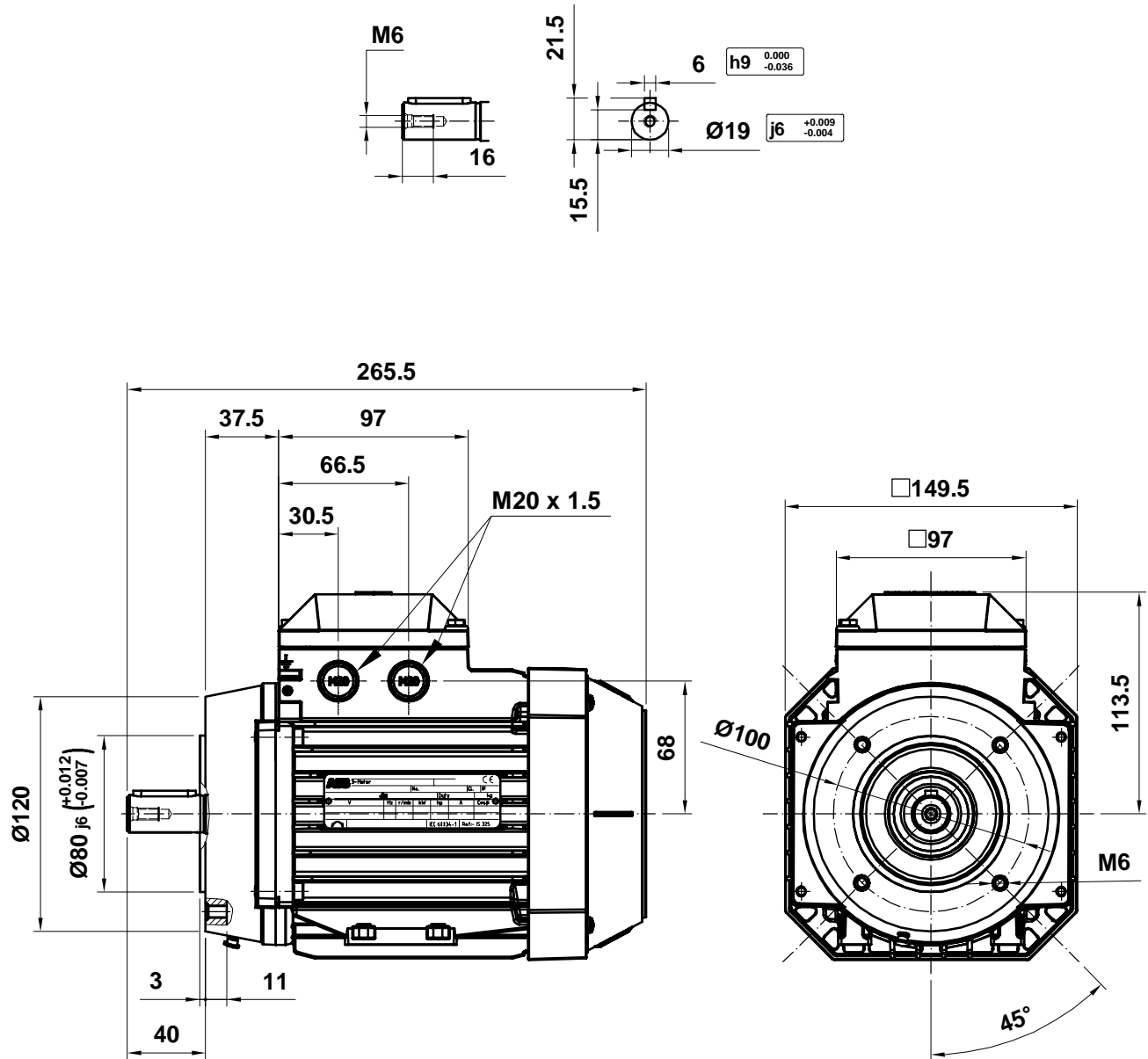


Motor data sheet

M3AA 80A 4

Definition	Data	Unit	Remarks
Product code	3GAA082311-***E		
Voltage code	D		
Type/Frame	M3AA 80A 4		
Design	CENELEC		
Efficiency class	IE1		
Rated output P_N	0.55	kW	
Rated voltage U_N	400	V D	± 5 % (IEC 60034-1)
Rated frequency f_N	50	Hz	± 2 % (IEC 60034-1)
Rated speed n_N	1375	r/min	
Rated current I_N	1.41	A	
Starting current I_S/I_N	4.5		
Nominal torque T_N	3.8	Nm	
Locked rotor torque T_l/T_N	1.8		
Maximum torque T_b/T_N	2.2		
Efficiency - full load 100%	72.8	%	Acc. to IEC 60034-2-1
Efficiency - 75%	76.1	%	
Efficiency - 50%	75.2	%	
Power factor - full load 100%	0.77		
Bearing DE/NDE	6204-2Z/C3 6203-2Z/C3		
Sound pressure level L_{pA} dB	50	dB(A)	+3dB(A)
Moment of inertia $J = \frac{1}{4} GD^2$ kgm ²	0	kg-m ²	
Weight	8.5	kg	



M3AA 080

Motor Dimension Print	Motor Type :	Document N° :
	M3AA 080	A1.5017 / 3D A2.5017
Description :		
Motor flange mounted IM3601 / Motor con brida IM3601		
Unit : Discrete Automation & Motion - Fáb. Motores	Issued by : ERM/J.Muñoz	Replaces : To date 2009-05-26