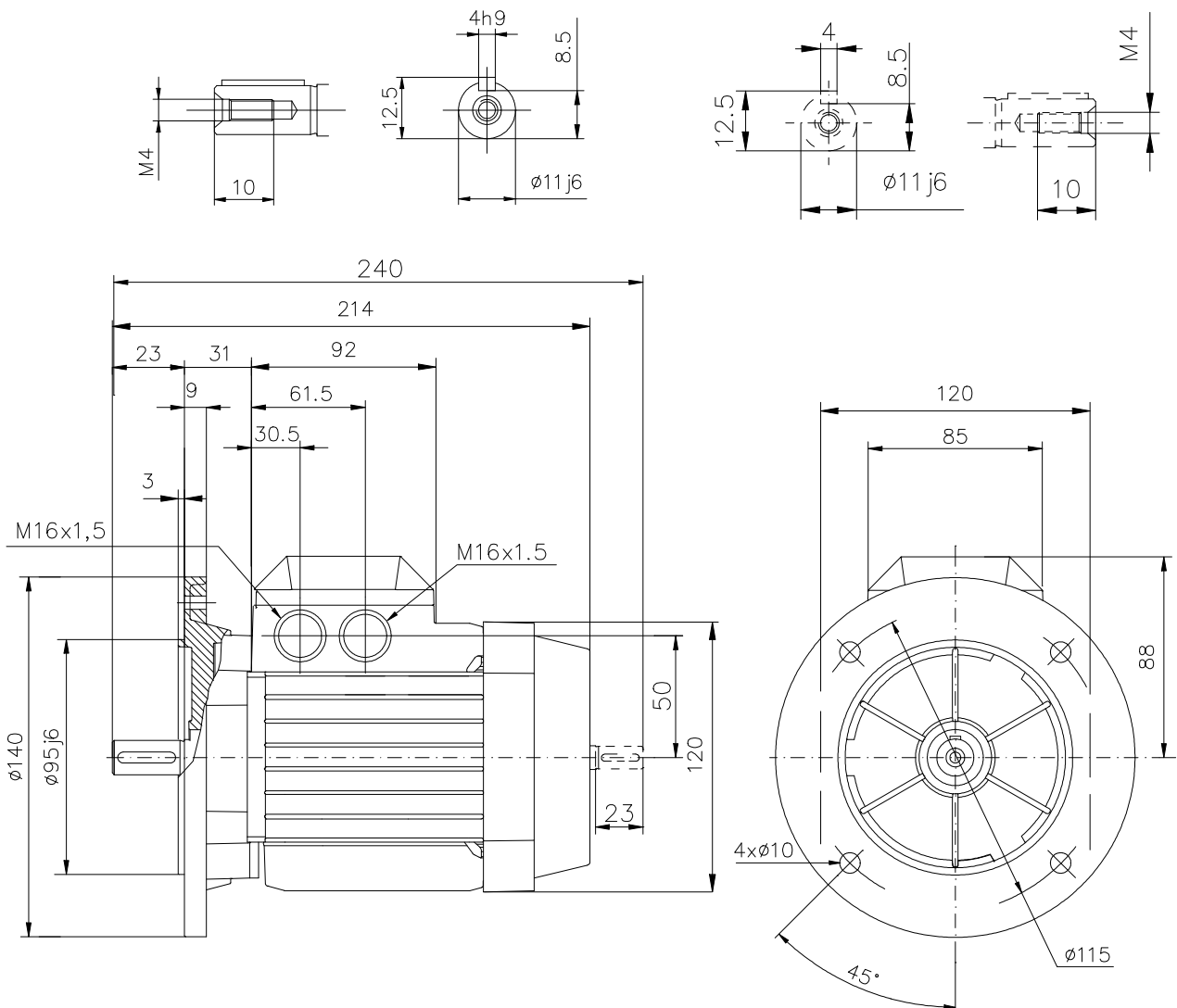


# Motor data sheet

## M3AA 63B 4

Definition	Data	Unit	Remarks
Product code	3GAA062312-***E		
Voltage code	S		
Type/Frame	M3AA 63B 4		
Design	CENELEC		
Efficiency class	IE1		
Rated output $P_N$	0.18	kW	
Rated voltage $U_N$	400	V Y	± 5 % (IEC 60034-1)
Rated frequency $f_N$	50	Hz	± 2 % (IEC 60034-1)
Rated speed $n_N$	1370	r/min	
Rated current $I_N$	0.67	A	
Starting current $I_S/I_N$	3.7		
Nominal torque $T_N$	1.25	Nm	
Locked rotor torque $T_l/T_N$	2.8		
Maximum torque $T_b/T_N$	2.9		
Efficiency - full load 100%	63.49	%	Acc. to IEC 60034-2-1
Efficiency - 75%	61.02	%	
Efficiency - 50%	54.35	%	
Power factor - full load 100%	0.61		
Bearing DE/NDE	6201-2Z/C3 6201-2Z/C3		
Sound pressure level $L_{pA}$ dB	54	dB(A)	+3dB(A)
Moment of inertia $J = \frac{1}{4} GD^2$ kgm <sup>2</sup>	0	kg-m <sup>2</sup>	
Weight	4.2	kg	



<b>Motor Dimension Print</b>	Motor Type: <b>M3AA 63</b> <b>IM 3001</b>	Document No: <b>3GZV 100 098-2</b>
------------------------------	--	---------------------------------------

Description: <b>Three phase motor</b>	
---------------------------------------	---

Unit: ABB AB, LV Motors, Sweden.	Issued by: M.Lindberg	Replaces:
----------------------------------	-----------------------	-----------

2012-09-05

M.Pettersson