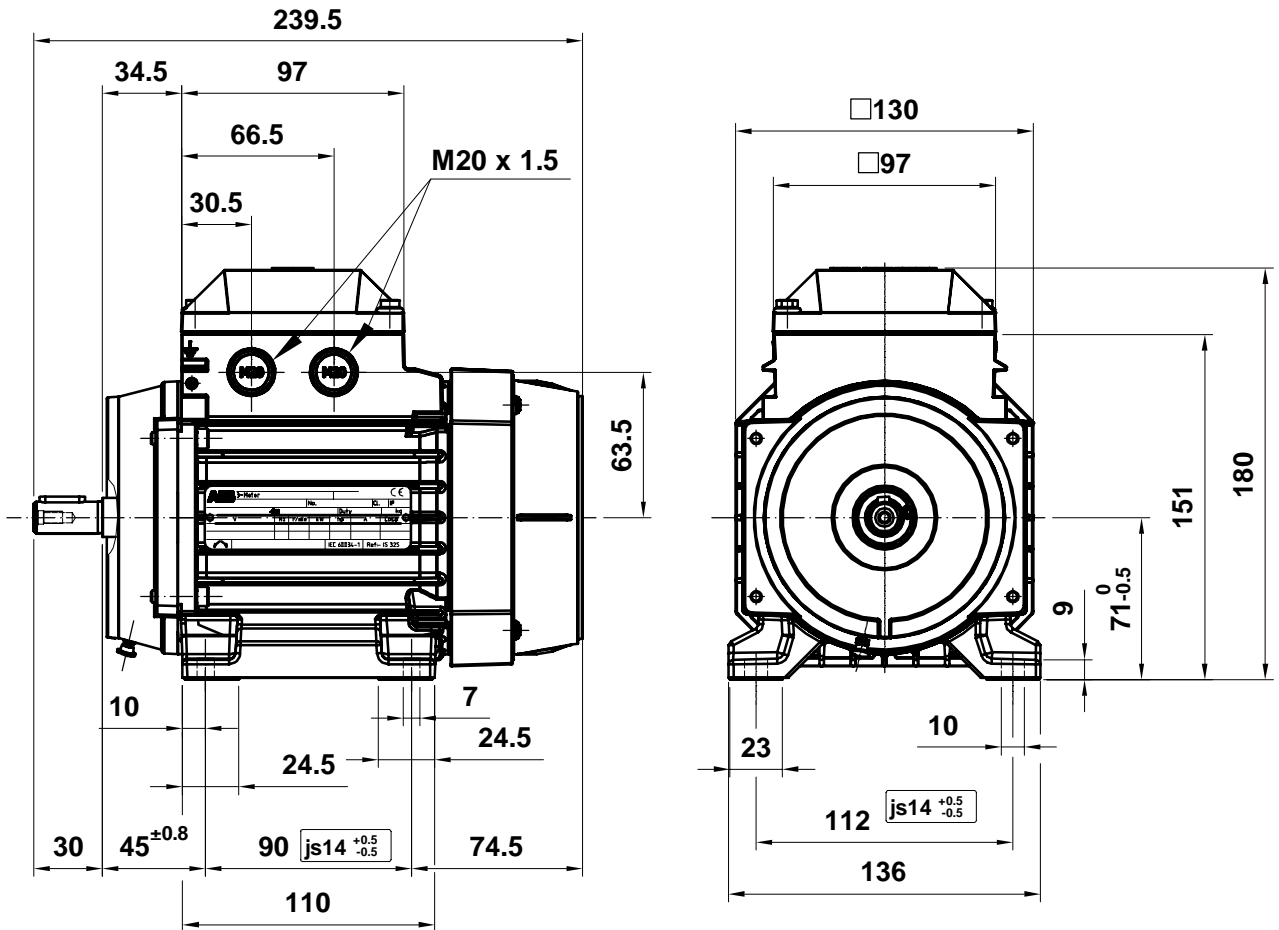
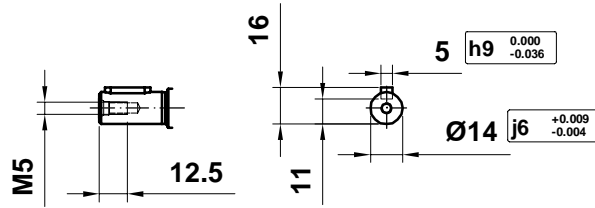


Motor data sheet

M3AA 71B 4

| Definition | Data | Unit | Remarks |
|---|-----------------------|-------------------|-----------------------|
| Product code | 3GAA072312-***E | | |
| Voltage code | D | | |
| Type/Frame | M3AA 71B 4 | | |
| Design | CENELEC | | |
| Efficiency class | IE1 | | |
| Rated output P_N | 0.37 | kW | |
| Rated voltage U_N | 400 | V D | ± 5 % (IEC 60034-1) |
| Rated frequency f_N | 50 | Hz | ± 2 % (IEC 60034-1) |
| Rated speed n_N | 1375 | r/min | |
| Rated current I_N | 0.96 | A | |
| Starting current I_S/I_N | 3.8 | | |
| Nominal torque T_N | 2.5 | Nm | |
| Locked rotor torque T_l/T_N | 2 | | |
| Maximum torque T_b/T_N | 2.2 | | |
| Efficiency - full load 100% | 69.7 | % | Acc. to IEC 60034-2-1 |
| Efficiency - 75% | 71.9 | % | |
| Efficiency - 50% | 71.1 | % | |
| Power factor - full load 100% | 0.79 | | |
| Bearing DE/NDE | 6203-2Z/C3 6202-2Z/C3 | | |
| Sound pressure level L_{pA} dB | 45 | dB(A) | +3dB(A) |
| Moment of inertia $J = \frac{1}{4} GD^2$ kgm ² | 0 | kg-m ² | |
| Weight | 5.9 | kg | |



M3AA 071

| | | |
|--|---------------------------|-----------------------|
| Motor Dimension Print | Motor Type : | Document N° : |
| | M3AA 071 | A1.5010 / 3D A2.5010 |
| Description : | | |
| Motor foot mounted IM1001 / Motor con patas IM1001 | | |
| Unit : Discrete Automation & Motion - Fáb. Motores | Issued by : ERM/J.L. Bayo | Replaces : 2009-03-18 |