

R2E250-BE03-10

AC centrifugal fan

backward-curved, single-intake
for solid-fuel heating systems

Nominal data

Type	R2E250-BE03-10	
Motor	M2E074-EI	
Phase		1~
Nominal voltage	VAC	230
Frequency	Hz	50
Method of obtaining data		fa
Valid for approval/standard		CE
Speed (rpm)	min ⁻¹	2500
Power consumption	W	260
Current draw	A	1.15
Capacitor	µF	7
Capacitor voltage	VDB	400
Capacitor standard		P0 (CE)
Min. back pressure	Pa	0
Min. back pressure	inH2O	0
Min. ambient temperature	°C	-25
Max. ambient temperature	°C	50
Starting current	A	2.1

ml = Max. load · me = Max. efficiency · fa = Free air · cs = Customer specification · ce = Customer equipment
Subject to change

R2E250-BE03-10

AC centrifugal fan

backward-curved, single-intake
for solid-fuel heating systems

Technical description

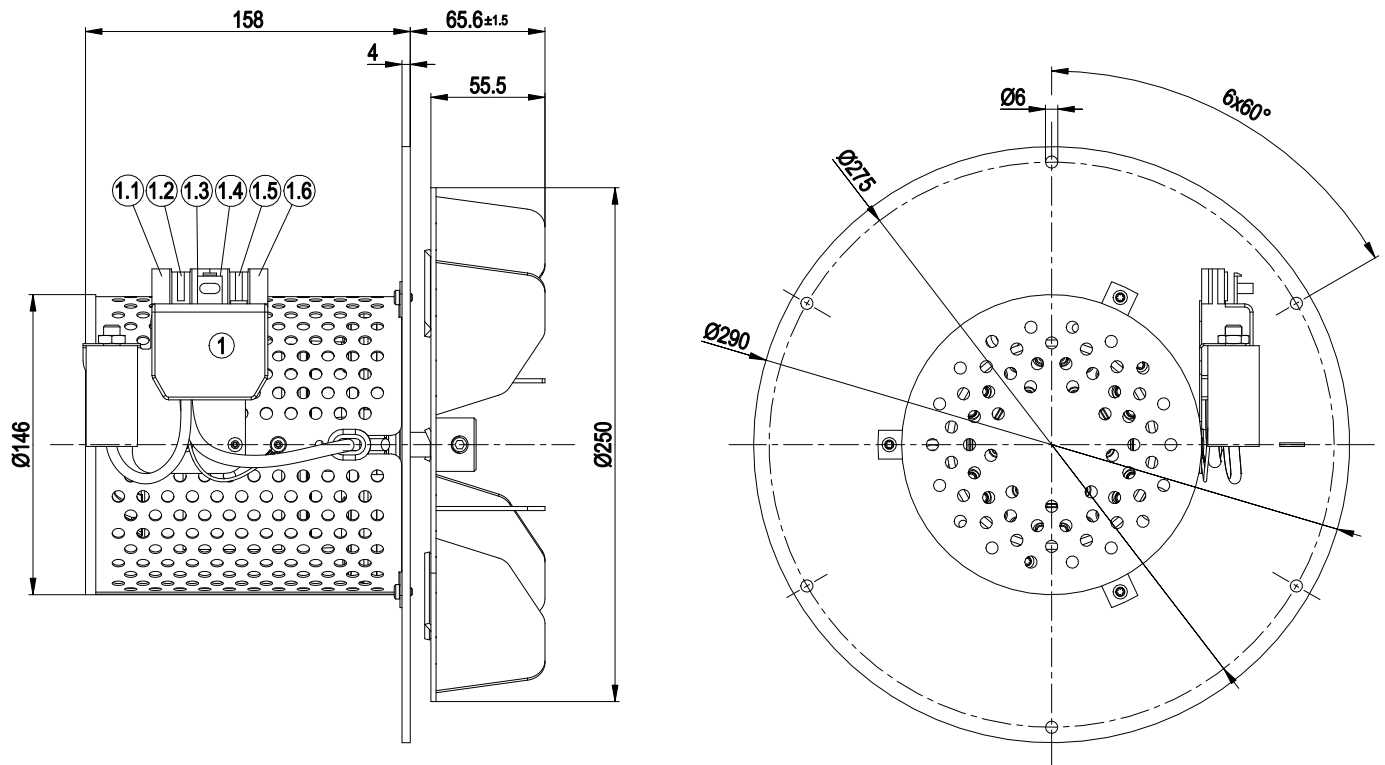
Weight	8.12 kg
Fan size	250 mm
Rotor surface	Unpainted
Impeller material	Sheet steel, rust-resistant
Support plate material	Sheet steel, galvanized
Number of blades	6
Motor suspension	Motor mounted on brackets for one-sided vibration damping
Direction of rotation	Clockwise, viewed toward rotor
Degree of protection	IP44; installation- and position-dependent
Insulation class	"F"
Moisture (F) / Environmental (H) protection class	H0 - dry environment
Max. permitted ambient temp. for motor (transport/storage)	+ 80 °C
Min. permitted ambient temp. for motor (transport/storage)	- 40 °C
Installation position	Any
Condensation drainage holes	None
Mode	S1
Motor bearing	Ball bearing
Touch current according to IEC 60990 (measuring circuit Fig. 4, TN system)	< 0.75 mA
Electrical hookup	With plug
Motor protection	Thermal overload protector (TOP) internally connected
With cable	Variable
Protection class	I (with customer connection of protective earth)
Conformity with standards	EN 60335-1; CE
Approval	EAC

R2E250-BE03-10

AC centrifugal fan

backward-curved, single-intake
for solid-fuel heating systems

Product drawing



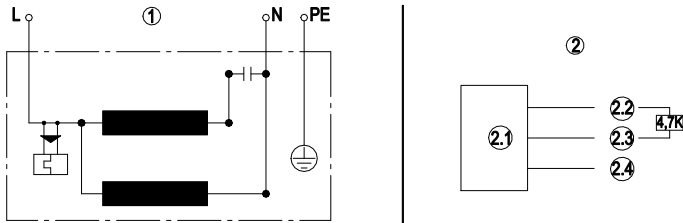
1	6-pole connector housing Wieland 92.968.0157.0
1.1	Hall IC black
1.2	Hall IC white
1.3	Hall IC red
1.4	black + capacitor
1.5	green/yellow
1.6	blue

R2E250-BE03-10

AC centrifugal fan

backward-curved, single-intake
for solid-fuel heating systems

Connection diagram

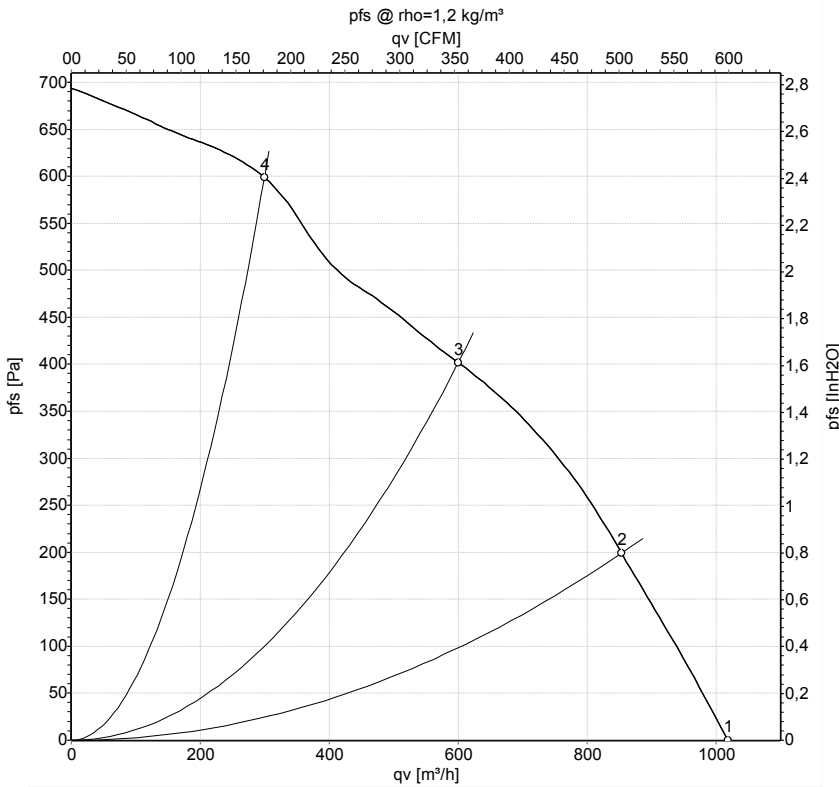


1	Fan connection diagram
L	blue
N	black
PE	green/yellow
2	Hall IC circuit
2.1	Hall IC
2.2	red (+5 V)
2.3	white (out)
2.4	black (0 V)

AC centrifugal fan

backward-curved, single-intake
for solid-fuel heating systems

Curves: Air performance 50 Hz



Measurement: LU-161592-1

Air performance measured according to ISO 5801 installation category A. For detailed information on the measurement setup, contact ebm-papst. Intake sound level: Sound power level according to ISO 13347 / sound pressure level measured at 1 m distance from fan axis. The values given are valid under the specified measuring conditions and may vary due to conditions of installation. For deviations from the standard configuration, the parameters have to be checked on the installed unit.

Measured values

	U	f	n	P _e	I	qv	p _{fs}	qv	p _{fs}
	V	Hz	min ⁻¹	W	A	m ³ /h	Pa	CFM	inH2O
1	230	50	2500	260	1.15	1020	0	600	0.00
2	230	50	2540	258	1.13	855	200	505	0.80
3	230	50	2590	243	1.06	600	400	355	1.61
4	230	50	2700	204	0.89	300	600	175	2.41

U = Power supply · f = Frequency · n = Speed (rpm) · P_e = Power consumption · I = Current draw · qv = Air flow · p_{fs} = Pressure increase