

R3G225-AH54-01

EC centrifugal fan

backward curved, single inlet
for forced air ventilation



Nominal data

Type	R3G225-AH54-01	
Motor	M3G074-CF	
Phase		1~
Nominal voltage	[VAC]	230
Nominal voltage range	[VAC]	200 .. 277
Frequency	[Hz]	50/60
Type of data definition		ml
Speed	[min ⁻¹]	2920
Power input	[W]	170
Current draw	[A]	1.27
Max. ambient temperature	[°C]	60
Air flow	[m ³ /h]	1000
Back pressure	[Pa]	210

ml = max. load · me = max. efficiency · rfa = running at free air · cs = customer specs · cu = customer unit
Subject to alterations

EC centrifugal fan

backward curved, single inlet
for forced air ventilation

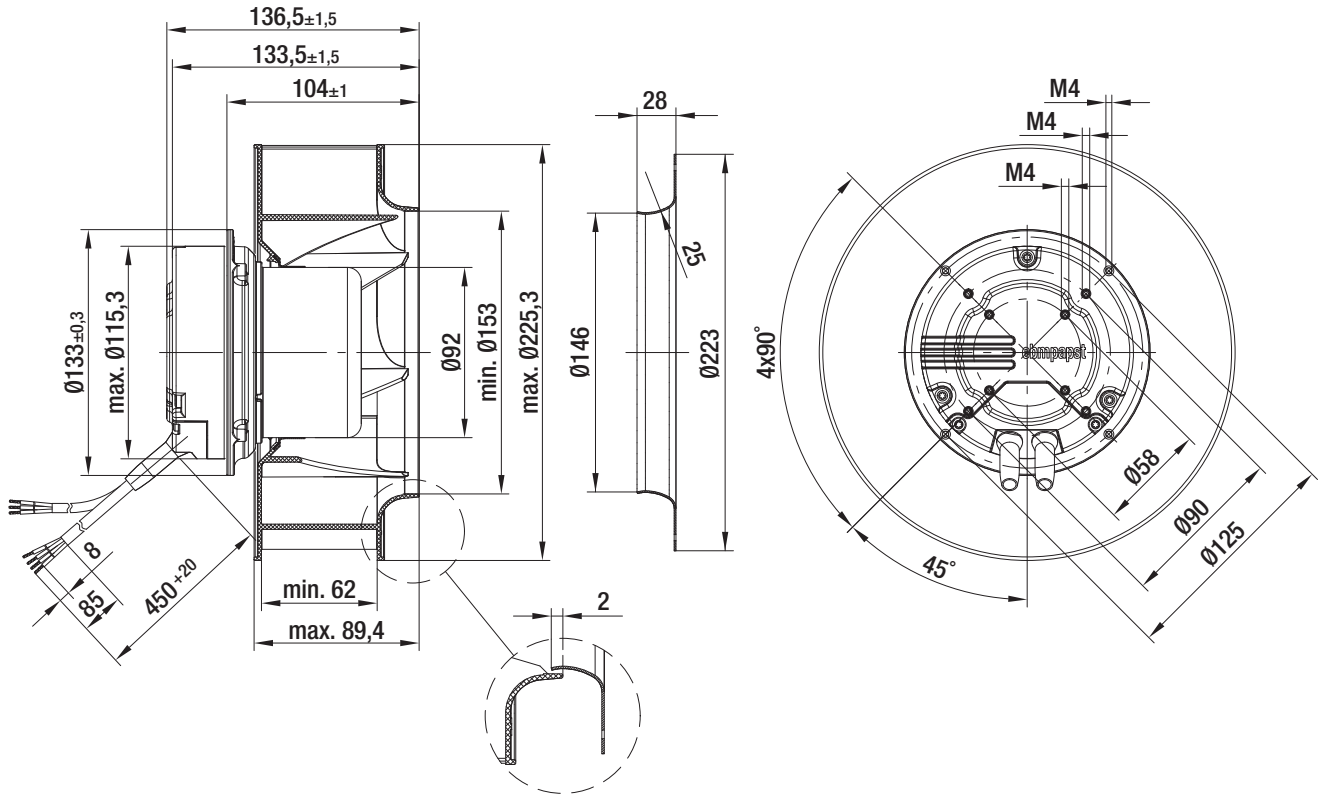
Technical features

Leakage current	<= 3,5 mA
General description	Integrated electronics
Size	225 mm
Operation mode	S1
Direction of rotation	Clockwise, seen on rotor
Mounting position	Shaft horizontal or rotor on top; rotor on bottom on request
EMC harmonics	Acc. to EN 61000-3-2/3
EMC interference emission	Acc. to EN 61000-6-3
EMC interference immunity	Acc. to EN 61000-6-2
Insulation class	"B"
Cable exit	Variable
Condensate discharge holes	None
Bearing motor	Ball bearing
Mass	2.25 kg
Material of electronics housing	Die-cast aluminium
Material of impeller	PA plastic 6.6, fiberglass-reinforced
Motor protection	Thermal overload protector (TOP) wired internally
Product conforming to standard	CE; EN 60335-1; EN 61800-5-1; EN 60950-1
Surface of rotor	Thick layer passivated
Number of blades	7
Type of protection	IP 44 - depending on position
Protection class	I
Technical features	<ul style="list-style-type: none"> - Control input 0-10 VDC / PWM - Output 10 VDC max. 1.1 mA - Tach output - Over-temperature protected electronics / motor
Max. permissible ambient motor temp. (transp./ storage)	+80 °C
Min. permissible ambient motor temp. (transp./storage)	-40 °C
Approval	CSA C22.2 Nr.77; UL 2111

EC centrifugal fan

backward curved, single inlet
for forced air ventilation

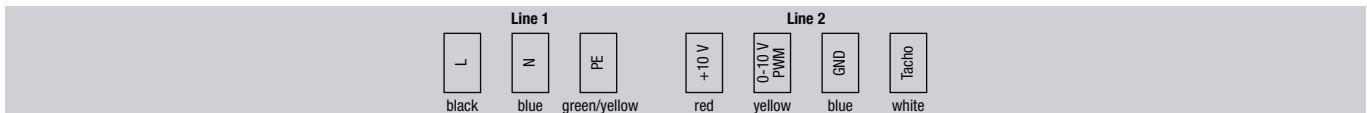
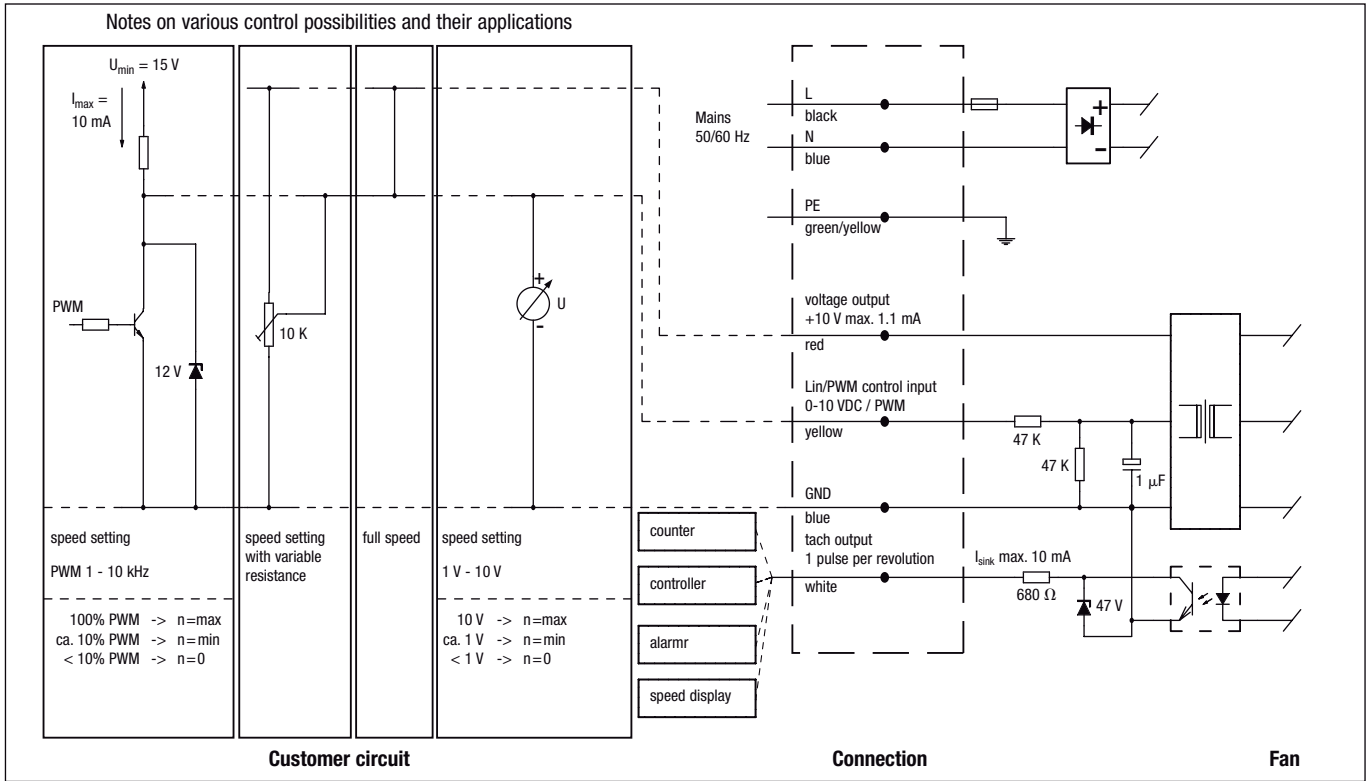
Product drawing



EC centrifugal fan

backward curved, single inlet
for forced air ventilation

Connection screen

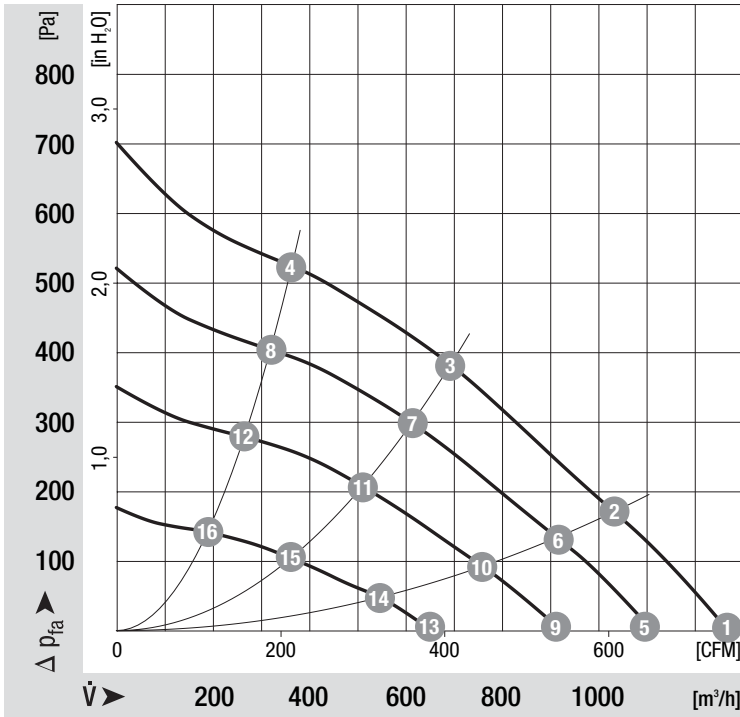


Line	Signal	Colour	Assignment / function	Line	Signal	Colour	Assignment / function
1	L	black	Mains 50/60 Hz, phase	2	+10 V	red	Voltage output +10 V max. 1.1 mA
	N	blue	Mains 50/60 Hz, neutral		0-10 V / PWM	yellow	Control input
	PE	green/yellow	Protective earth		GND	blue	GND
					Tacho	white	Tach output: pulses per revolution

EC centrifugal fan

backward curved, single inlet
for forced air ventilation

Charts: Air flow



The technical data was measured with the end plate attached.

Measured values

	n	P ₁	I	η _{TL}
	[min ⁻¹]	[W]	[A]	[%]
1	3010	139	1.0	
2	2930	153	1.1	43
3	2900	162	1.2	52
4	2970	148	1.1	39
5	2640	97	0.7	
6	2600	105	0.8	44
7	2570	116	0.9	57
8	2605	100	0.8	43
9	2190	59	0.5	
10	2150	67	0.5	46
11	2135	71	0.6	56
12	2160	62	0.5	44
13	1540	27	0.2	
14	1530	29	0.2	43
15	1520	31	0.3	55
16	1530	28	0.2	42