

3212 JN

DC axial compact fan



Nominal data

Type	3212 JN	
Nominal voltage	VDC	12
Nominal voltage range	VDC	7 .. 13.8
Speed	min ⁻¹	6000
Power input	W	7.5
Min. ambient temperature	°C	-20
Max. ambient temperature	°C	70
Air flow	m ³ /h	130
Sound power level	B	6.1
Sound pressure level	dB(A)	51

ml = max. load · me = max. efficiency · fa = running at free air · cs = customer specs · cu = customer unit
Subject to alterations

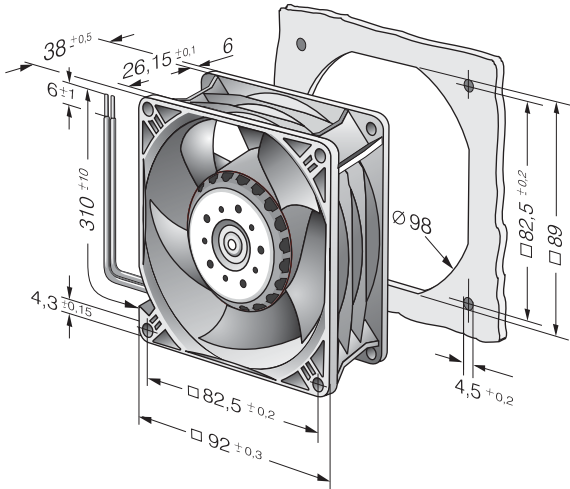
Technical features

General description	<p>Particular design features:</p> <p>Rigid compression curve for high air flow at high counterpressure.</p> <p>Innovative impeller with winglets for low noise.</p> <p>Optional Vario-Pro: Highly flexible software configuration for the fan ensures an easily customisable solution to meet the individual requirements of your application.</p> <p>General features:</p> <p>Material: fibreglass-reinforced plastic. Impeller PA, housing PBT.</p> <p>Electronic commutation completely integrated.</p> <p>Protected against reverse polarity and locking.</p> <p>Connection via single strands AWG 24 (H3 and H4: AWG 22), TR 64, bared and tin-plated.</p> <p>Air exhaust over bars. Rotational direction clockwise looking at rotor.</p> <p>Mass: 240 g (H3 and H4: 280 g).</p>
Mass	0.240 kg
Dimensions	92 x 92 x 38 mm
Material of impeller	Fiberglass-reinforced PA plastic
Housing material	Fiberglass-reinforced PBT plastic
Direction of air flow	Air exhaust over bars
Direction of rotation	Right, looking at rotor
Bearing	Ball bearings
Lifetime L10 at 40 °C	70000 h
Lifetime L10 at maximum temperature	35000 h
Connection line	Single strands AWG 24, TR 64, bared and tin-plated.
Motor protection	Protected against reverse polarity and locking.
Approval	VDE, CSA, UL

3212 JN

DC axial compact fan

Product drawing



Charts: Air flow

