

412 FH

DC axial compact fan



Nominal data

| Type | 412 FH | |
|--------------------------|-------------------|----------|
| Nominal voltage | VDC | 12 |
| Nominal voltage range | VDC | 10 .. 14 |
| Speed | min ⁻¹ | 6000 |
| Power input | W | 0.8 |
| Min. ambient temperature | °C | -20 |
| Max. ambient temperature | °C | 70 |
| Air flow | m ³ /h | 9 |
| Sound power level | B | 4.6 |
| Sound pressure level | dB(A) | 26.0 |

ml = max. load · me = max. efficiency · fa = running at free air · cs = customer specs · cu = customer unit
Subject to alterations

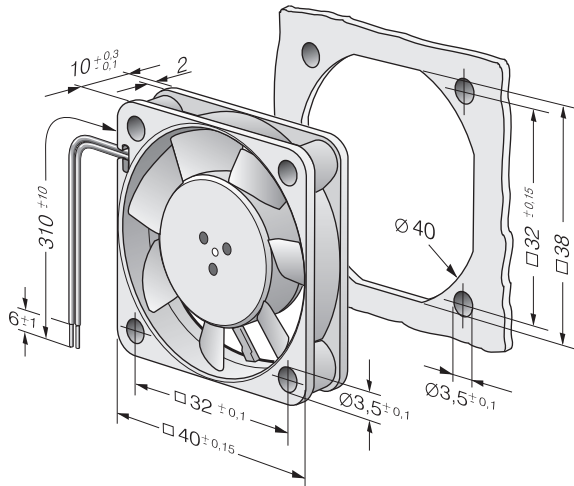
Technical features

| | |
|------------------------------|---|
| General description | <p>Particular design features: Compact fan with low power consumption. Some models suitable for use at high ambient temperatures.</p> <p>General features: Material: fibreglass-reinforced plastic. Impeller PA, housing PBT. Electronic commutation completely integrated. Protected against reverse polarity and locking. Connection via single strands AWG 28, TR 64, bared and tin-plated. Air exhaust over bars. Direction of rotation counter-clockwise seen on rotor. Masse: 17 g.</p> |
| Mass | 0.017 kg |
| Dimensions | 40 x 40 x 10 mm |
| Material of impeller | Fiberglass-reinforced PA plastic |
| Housing material | Fiberglass-reinforced PBT plastic |
| Direction of air flow | Air exhaust over bars |
| Direction of rotation | Left, looking at rotor |
| Bearing | Sintec sleeve bearing system |
| Lifetime L10 at 20 °C | 45000 h |
| Lifetime L10 at 60 °C | 15000 h |
| Connection line | Single strands AWG 28, TR 64, bared and tin-plated. |
| Motor protection | Protected against reverse polarity and locking. |
| Approval | VDE, CSA, UL |

412 FH

DC axial compact fan

Product drawing



Charts: Air flow

