

4214 NH

## DC axial compact fan



### Nominal data

|                          |                      |      |
|--------------------------|----------------------|------|
| Type                     | 4214 NH              |      |
| Nominal voltage          | [VDC]                | 24   |
| Speed                    | [min <sup>-1</sup> ] | 3050 |
| Power input              | [W]                  | 4.8  |
| Min. ambient temperature | [°C]                 | -20  |
| Max. ambient temperature | [°C]                 | 70   |
| Air flow                 | [m <sup>3</sup> /h]  | 180  |
| Sound power level        | [B]                  | 5.7  |
| Sound pressure level     | [dB(A)]              | 45   |

ml = max. load · me = max. efficiency · rfa = running at free air · cs = customer specs · cu = customer unit  
Subject to alterations

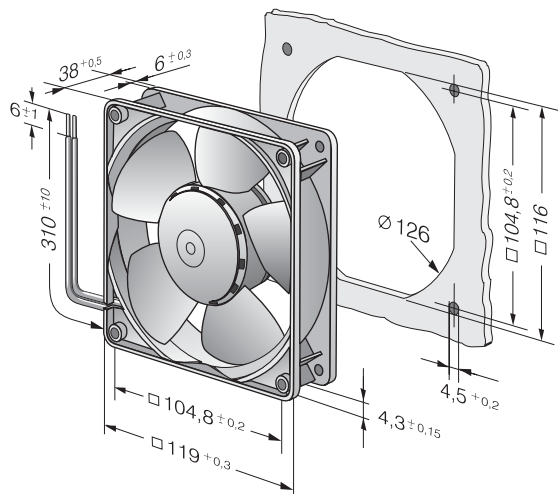
**Technical features**

|  |  |
|--|--|
| <b>Dimensions</b>                          | 119 x 119 x 38 mm  |
| <b>General description</b>                 | DC fan with electronically commutated external rotor motor. Commutation electronics completely integrated. |
| <b>Connection line</b>                     | 2 single strands AWG 22, TR 64   |
| <b>Locked-rotor protection</b>             | Blocking and overload protection   |
| <b>Direction of protection</b>             | Left, looking at rotor   |
| <b>Direction of air flow</b>               | Air exhaust over bars  |
| <b>Bearing</b>                             | Ball bearings  |
| <b>Lifetime L10 at 40 °C</b>               | 60000 h  |
| <b>Lifetime L10 at maximum temperature</b> | 30000 h  |
| <b>Mass</b>                                | 0.230 kg   |
| <b>Material of impeller</b>                | Fiberglass-reinforced PA plastic   |
| <b>Motor protection</b>                    | Reverse-polarity protected. The fan runs only if the polarity is correct.                                  |
| <b>Option</b>                              | Speed signal   |
| <b>Approval</b>                            | VDE, CSA, UL, CE   |

4214 NH

# DC axial compact fan

## Product drawing



## Charts: Air flow

