

Ind. 0 - Revision : 09-2003

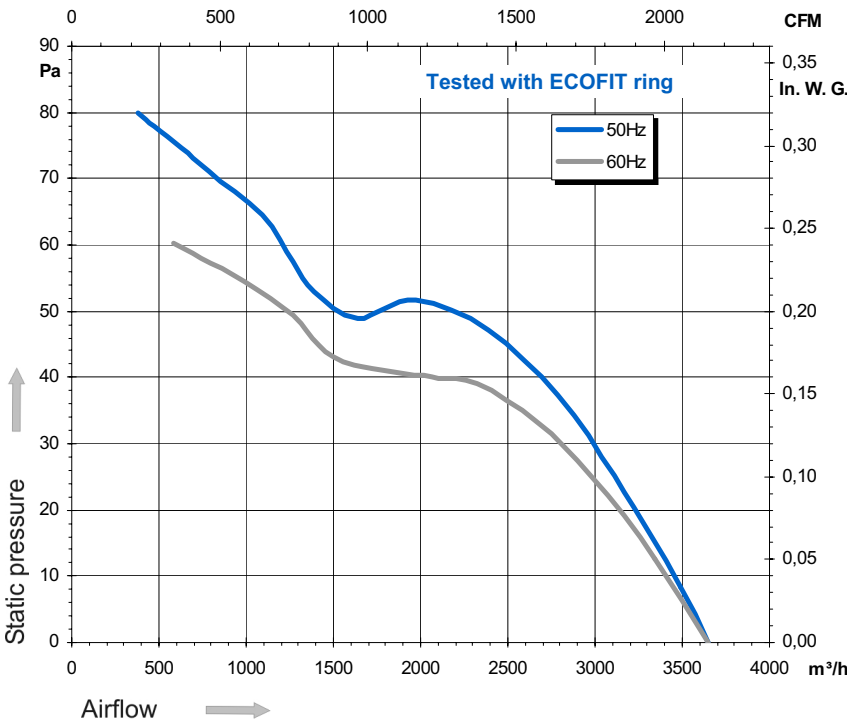
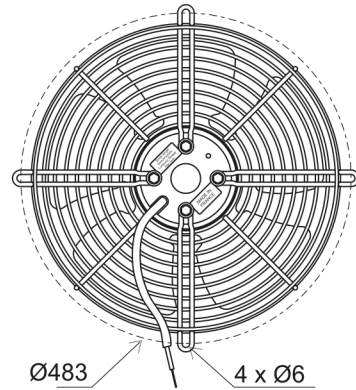
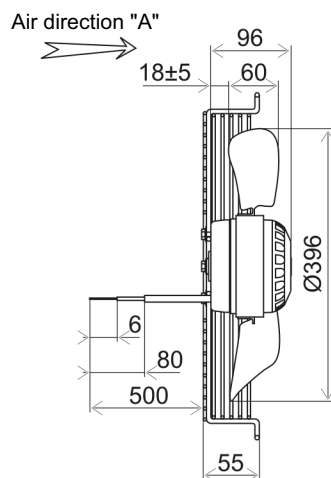
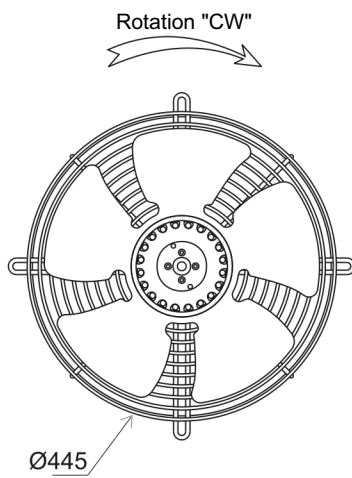
## 4VPR45 400A

## P/N B22-I7

Substitute for Q09-28

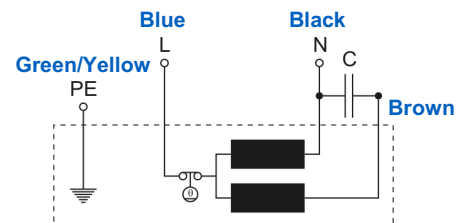


Voltage	Frequency	Input power	Current	Capacitor	Airflow	Speed rotation	Noise level	Rotation direction	Operating temperature
V	Hz	Wa	A	µF	m³/h	RPM	dBA	↻	Min / Max
230	50	151	0,66	4,0	3 650	1 165	69	R	-20°C / +50°C
230	60	177	0,77	3,5	3 650	1 130	71	R	-20°C / +60°C



- Ball bearing
- Class F, thermally protected
- IP44 protection
- G6.3 balancing
- Zinc coated impeller
- Rotor and impeller : black paint
- Basket finger guard : black paint

Capacitor for 50Hz	Capacitor for 60Hz	Connecting box	Connector
19019-0	19049-0	39658	09145-0



Non contractual document. All specifications are subject to change without prior notice. Picture for information only.