

4GRE45 200x75R P/N L21-A4

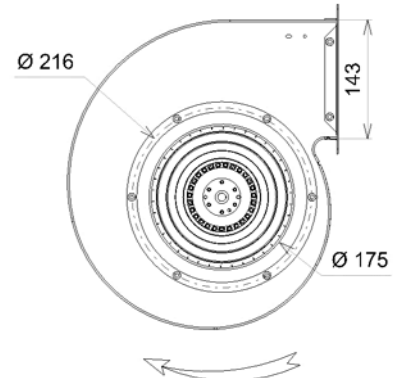
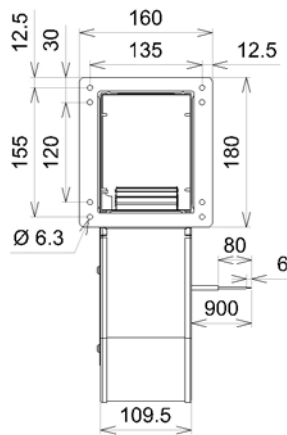
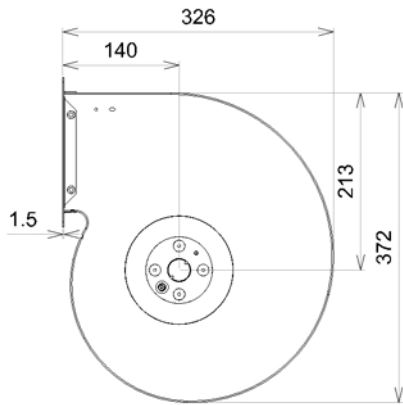
Substitute for N05-35

Voltage	Frequency	Input power	Current	Capacitor	Airflow	Speed rotation	Noise level	Rotation direction	Operating temperature	ErP 2013	ErP 2015
V	Hz	Wa	A	µF	m³/h	RPM	dBA	↻	Min / Max		
230	50	155	0,69	4,0	765	1 020	59	R	-20°C / +60°C	NA	NA
230	60	169	0,74	3,5	720	970	57	R	-20°C / +55°C		
230	50				450 CFM				-4°F / +140°F		
230	50				423 CFM				-4°F / +131°F		

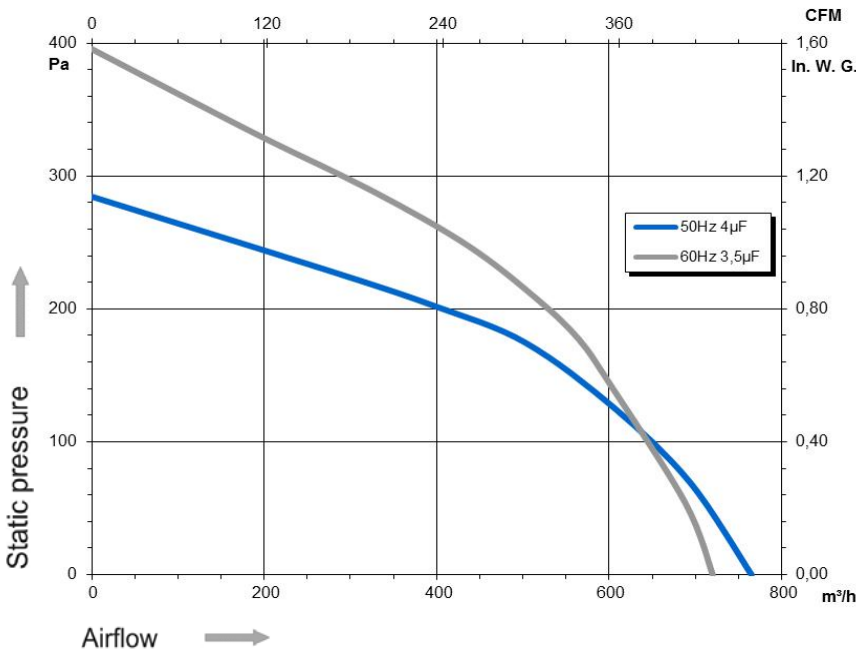


dBa : free let out

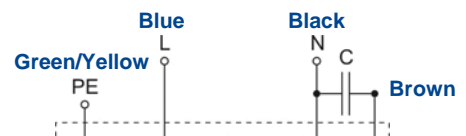
NA : Not Applicable



Rotation "CW"



- Weight : 5,5 Kg
- Ball bearing
- Class F, thermally protected
- IP44 protection depending on installation and position as per EN60034-5
- G2.5 balancing
- Galvanized steel impeller
- Rotor : black paint
- Scroll housing : black paint



Non contractual document. All specifications are subject to change without prior notice. Picture for information only.