

5656 S

AC axial compact fan



Nominal data

| | | |
|--------------------------|-------------------|------|
| Type | 5656 S | |
| Phase | | 1~ |
| Nominal voltage | VAC | 230 |
| Frequency | Hz | 50 |
| Speed | min ⁻¹ | 2700 |
| Power input | W | 30.0 |
| Min. ambient temperature | °C | -35 |
| Max. ambient temperature | °C | 70 |
| Air flow | m ³ /h | 235 |
| Sound power level | B | 5.9 |
| Sound pressure level | dB(A) | 46 |

ml = max. load · me = max. efficiency · rfa = running at free air · cs = customer specs · cu = customer unit
Subject to alterations

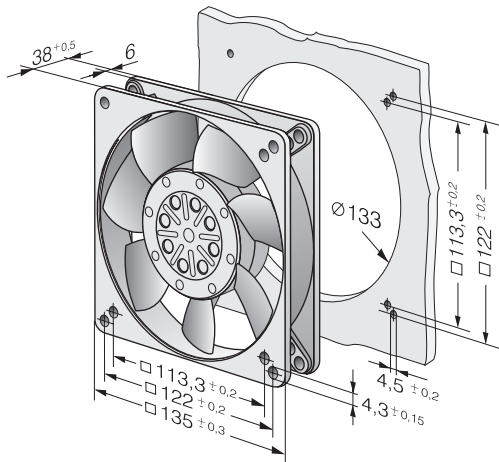
Technical features

| | |
|--|--|
| Dimensions | 135 x 135 x 38 mm |
| General description | <p>AC voltage fan with external rotor motor shaded-pole motor. Protected from overload by a thermal cutout switch.</p> <p>Fan housing and impeller made of metal.</p> <p>Air exhaust over bars. Direction of rotation counter-clockwise seen on rotor.</p> <p>Electrical connection to 2 flat plugs 2.8 x 0.5 mm.</p> <p>Fan housing with grounding lug and tapping screw M4 x 8 (TORX).</p> <p>Mass 800 g.</p> <p>Please note our new ACmaxx series. With identical fastening dimensions and voltages, this series achieves higher energy efficiency.</p> |
| Connection line | 2 flat plugs 2.8 x 0.5 mm. Housing with grounding lug and tapping screw M4 x 8 (TORX). |
| Direction of rotation | Left, looking at rotor |
| Direction of air flow | Air exhaust over bars |
| Bearing | Ball bearings |
| Lifetime L10 at 40 °C | 45000 h |
| Lifetime L10 at maximum temperature | 20000 h |
| Mass | 0.800 kg |
| Housing material | Metal |
| Material of impeller | Metal |
| Motor protection | Protected from overload by a thermal cutout switch |
| Approval | VDE, CSA, UL, CE |

5656 S

AC axial compact fan

Product drawing



Charts: Air flow

