

6078 ES

AC axial compact fan



Nominal data

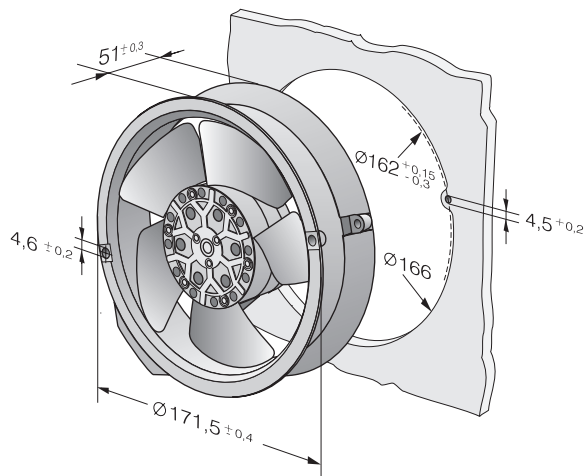
Type	6078 ES	
Phase		1~
Nominal voltage	VAC	230
Frequency	Hz	50
Speed	min ⁻¹	2800
Power input	W	26.0
Min. ambient temperature	°C	-25
Max. ambient temperature	°C	75
Air flow	m ³ /h	420
Sound power level	B	6.3
Sound pressure level	dB(A)	54

ml = max. load · me = max. efficiency · rfa = running at free air · cs = customer specs · cu = customer unit
Subject to alterations

Technical features

Dimensions	172 Ø x 51 mm
General description	<p>AC voltage fan with external rotor capacitor motor. Protected from overload by integrated thermal switch.</p> <p>Fan housing and fan impeller made of metal.</p> <p>Air exhaust over bars. Direction of rotation counter-clockwise seen on rotor.</p> <p>Electrical connection to 2 flat plugs 2.8 x 0.5 mm.</p> <p>Fan housing with grounding lug for tapping screw M4 x 6 (TORX).</p> <p>Mass 1.0 kg.</p> <p>Please note our new ACmaxx series. With identical fastening dimensions and voltages, this series achieves higher energy efficiency.</p>
Connection line	2 single strands. Housing with grounding lug for tapping screw M4 x 6 (TORX).
Direction of rotation	Left, looking at rotor
Direction of air flow	Air exhaust over bars
Bearing	Ball bearings
Lifetime L10 at 40 °C	62000 h
Lifetime L10 at maximum temperature	39000 h
Mass	1 kg
Housing material	Metal
Material of impeller	Metal
Motor protection	Protected from overload by a thermal switch
Approval	VDE, CSA, UL, CE

Product drawing



Charts: Air flow

