

6224 NT

DC axial compact fan



Nominal data

| Type | 6224 NT | |
|--------------------------|-------------------|----------|
| Nominal voltage | VDC | 24 |
| Nominal voltage range | VDC | 12 .. 28 |
| Speed | min ⁻¹ | 3400 |
| Power input | W | 18.0 |
| Min. ambient temperature | °C | -10 |
| Max. ambient temperature | °C | 72 |
| Air flow | m ³ /h | 410 |
| Sound power level | B | 6.1 |
| Sound pressure level | dB(A) | 55 |

ml = max. load · me = max. efficiency · rfa = running at free air · cs = customer specs · cu = customer unit
Subject to alterations

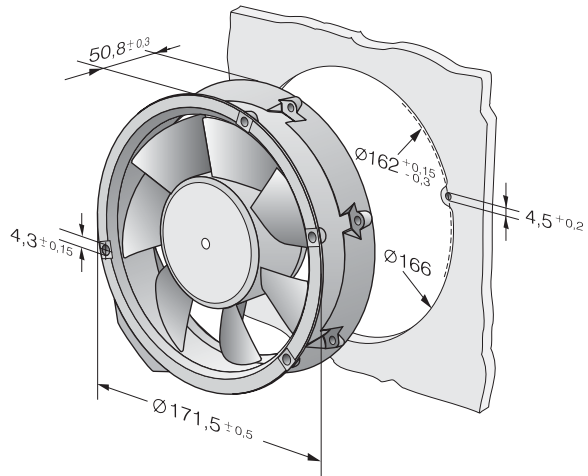
Technical features

| | |
|--|--|
| Dimensions | 172 Ø x 51 mm |
| General description | VARIOFAN models available with external temperature sensor. Optional Vario-Pro: Highly flexible software configuration for the fan ensures an easily customizable solution to meet the individual requirements of your application. Commutation electronics completely integrated. |
| Connection line | Flat plugs 3.0 x 0.5 mm. Optional version with strands. |
| Locked-rotor protection | Electronic blocking protection, with electronic motor current limit in the startup phase and when the rotor is blocked. |
| Direction of rotation | Left, looking at rotor |
| Direction of air flow | Air exhaust over bars |
| Bearing | Ball bearings |
| Lifetime L10 at 40 °C | 77500 h |
| Lifetime L10 at maximum temperature | 35000 h |
| Mass | 0.820 kg |
| Housing material | Aluminum. Housing with grounding lug for screw M4 x 8 (TORX). |
| Material of impeller | Fiberglass-reinforced PA plastic |
| Motor protection | Protected against reverse polarity and locking. |
| Approval | VDE, CSA, UL, CE |

6224 NT

DC axial compact fan

Product drawing



Charts: Air flow

