

6314 /2HP

## DC axial fan



### Nominal data

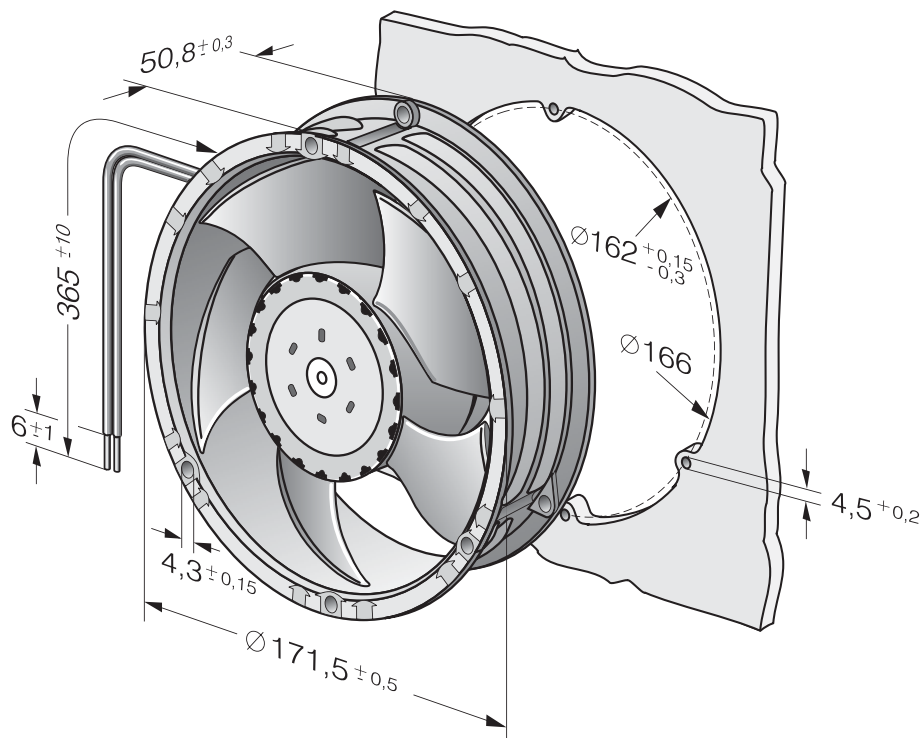
| Type                     | 6314 /2HP         |          |
|--------------------------|-------------------|----------|
| Nominal voltage          | VDC               | 24       |
| Nominal voltage range    | VDC               | 16 .. 30 |
| Speed                    | min <sup>-1</sup> | 5000     |
| Power input              | W                 | 31       |
| Min. ambient temperature | °C                | -20      |
| Max. ambient temperature | °C                | 65       |
| Air flow                 | m <sup>3</sup> /h | 545      |
| Sound power level        | B                 | 6.9      |
| Sound pressure level     | dB(A)             | 58       |

ml = max. load · me = max. efficiency · rfa = running at free air · cs = customer specs · cu = customer unit  
Subject to alterations

## Technical features

|  |   |
|--|---|
| <b>General description</b>                 | <p>Particular design features:</p> <ul style="list-style-type: none"> <li>Very rigid compression curve for high air flow at high counterpressure.</li> <li>Low operating noise level at high counterpressure.</li> <li>Standard with PWM control input and speed signal.</li> <li>Other inputs and outputs on request.</li> </ul> <p>General features:</p> <ul style="list-style-type: none"> <li>Housing made of aluminium, impeller made of fibreglass-reinforced PA; housing with grounding lug for M4 x 8 screw (Torx).</li> <li>Protected against reverse polarity and locking.</li> <li>Electrical connection via single strands AWG 22, TR 64, bared and tin-plated.</li> <li>Air exhaust over bars. Direction of rotation counter-clockwise seen on rotor.</li> <li>Mass: 910 g.</li> </ul> |
| <b>Mass</b>                                | 0.91 kg   |
| <b>Dimensions</b>                          | 172 Ø x 51 mm   |
| <b>Lifetime L10 at 40 °C</b>               | 77500 h   |
| <b>Lifetime L10 at maximum temperature</b> | 42500 h   |

## Product drawing



## Charts

