

A2D170-AA04-01

AC axial fan

straight blades (A series)

Nominal data

Type	A2D170-AA04-01				
Motor	M2D068-BF				
Phase		3~	3~	3~	3~
Nominal voltage	VAC	230	230	400	400
Connection		Δ	Δ	Y	Y
Frequency	Hz	50	60	50	60
Type of data definition		fa	fa	fa	fa
Valid for approval / standard		CE	CE	CE	CE
Speed	min ⁻¹	2750	3100	2750	3100
Power input	W	45	43	45	43
Current draw	A	0.23	0.16	0.13	0.09
Min. ambient temperature	°C	-25	-25	-25	-25
Max. ambient temperature	°C	55	70	55	70
Starting current	A	0.4	0.38	0.23	0.22

ml = max. load · me = max. efficiency · fa = running at free air · cs = customer specs · cu = customer unit
Subject to alterations

A2D170-AA04-01

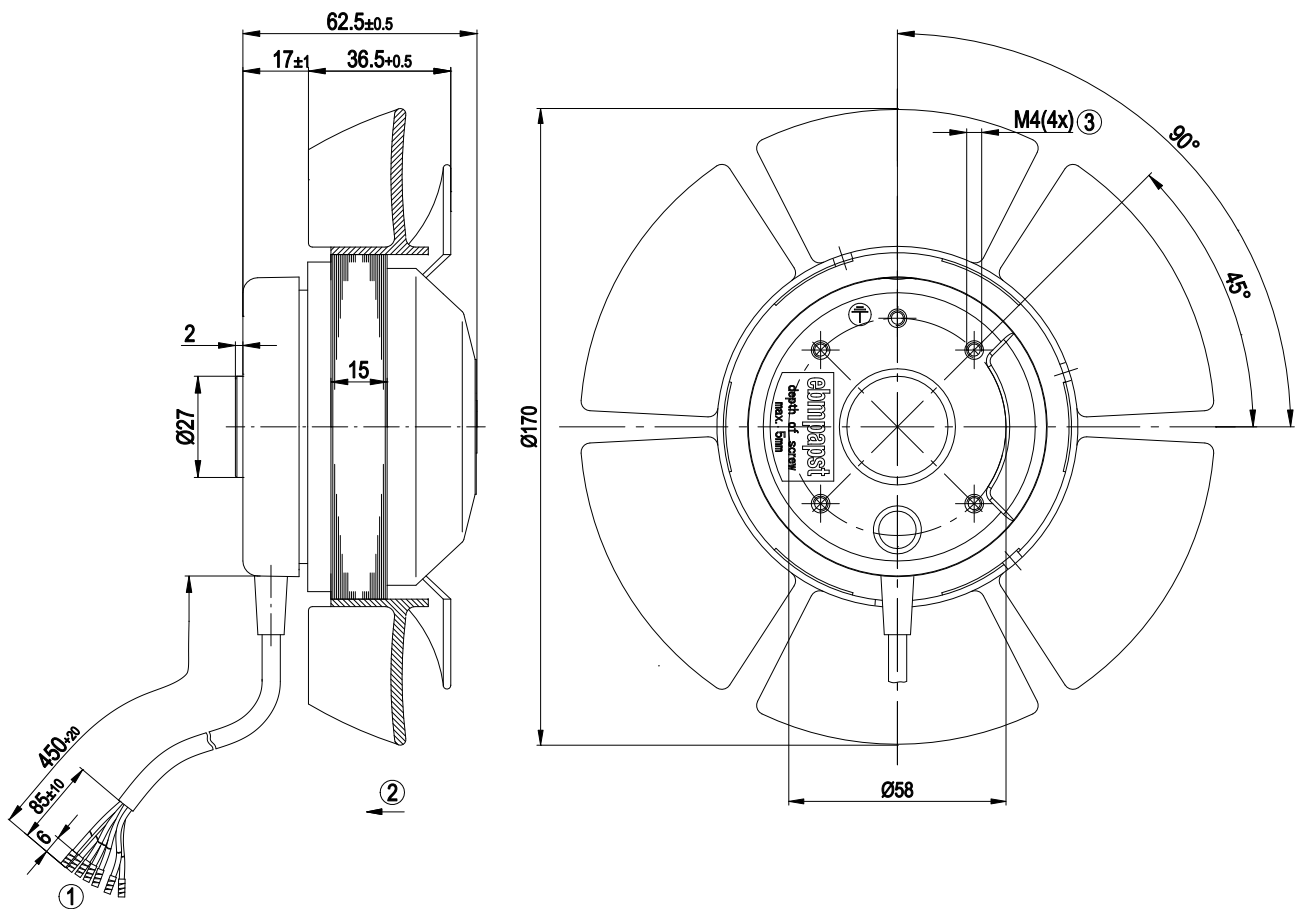
AC axial fan

straight blades (A series)

Technical features

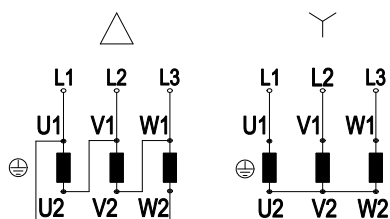
Mass	1.18 kg
Size	170 mm
Surface of rotor	Coated in black
Material of impeller	Die-cast aluminium
Number of blades	6
Direction of air flow	"V"
Direction of rotation	Counter-clockwise, seen on rotor
Type of protection	IP 44
Insulation class	"B"
Humidity class	F0
Max. permissible ambient motor temp. (transp./ storage)	+ 80 °C
Min. permissible ambient motor temp. (transp./storage)	- 40 °C
Mounting position	Any
Condensate discharge holes	None
Operation mode	S1
Motor bearing	Ball bearing
Touch current acc. IEC 60990 (measuring network Fig. 4, TN system)	< 0.75 mA
Cable exit	Lateral
Protection class	I (if protective earth is connected by customer)
Approval	CCC

Product drawing



1	Connection line PVC 7 x 0.5 mm ² ; 7 x brass lead tips crimped
2	Direction of air flow "V"
3	Depth of screw max. 5 mm

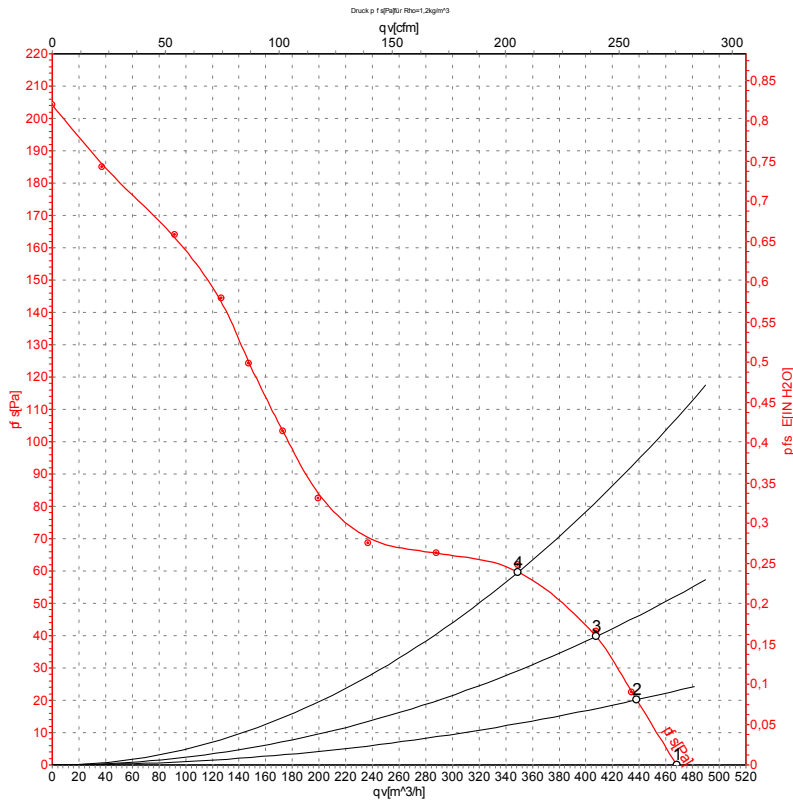
Connection screen



Note: Direction of rotation changes when two phases are reversed

Δ	Delta connection	Y	Star connection	L1	black
L2	blue	L3	brown	U1	black
V1	blue	W1	brown	U2	green
V2	white	W2	yellow		

Charts: Air flow 50 Hz



Measurement: LU-25208

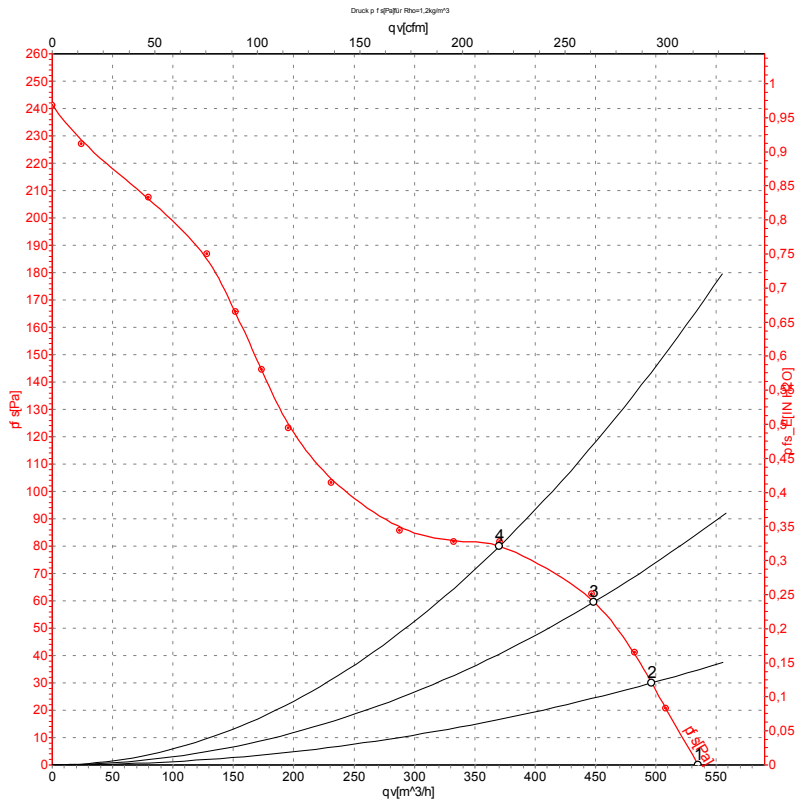
Air performance measured as per ISO 5801 Installation category A. For detailed information on the measuring set-up, please contact ebm-papst. Suction-side noise levels: LwA measured as per ISO 13347 / LpA measured with 1m distance to fan axis. The values given are valid under the measuring conditions mentioned above and may vary according to the actual installation situation. With any deviation from the standard set-up, the specific values have to be checked and reviewed with the unit installed.

Measured values

	U	f	n	Pe	I	qv	Pfs
	V	Hz	min ⁻¹	W	A	m ³ /h	Pa
1	400	50	2710	42	0.12	470	0
2	400	50	2705	42	0.12	440	20
3	400	50	2685	43	0.12	410	40
4	400	50	2675	44	0.12	350	60

U = Supply voltage · f = Frequency · n = Speed · Pe = Power input · I = Current draw · qv = Air flow · Pfs = Pressure increase

Charts: Air flow 60 Hz



Measurement: LU-25209

Air performance measured as per ISO 5801 Installation category A. For detailed information on the measuring set-up, please contact ebm-papst. Suction-side noise levels: L_{wA} measured as per ISO 13347 / L_{pA} measured with 1m distance to fan axis. The values given are valid under the measuring conditions mentioned above and may vary according to the actual installation situation. With any deviation from the standard set-up, the specific values have to be checked and reviewed with the unit installed.

Measured values

	U	f	n	P _e	I	qv	p _{fs}
	V	Hz	min ⁻¹	W	A	m ³ /h	Pa
1	400	60	3100	39	0.09	535	0
2	400	60	3065	41	0.09	495	30
3	400	60	3015	43	0.09	450	60
4	400	60	3000	44	0.09	370	80

U = Supply voltage · f = Frequency · n = Speed · P_e = Power input · I = Current draw · qv = Air flow · p_{fs} = Pressure increase