

AC axial fan

A series



- **Design:** Without guard grille and wall ring
- **Impeller material:** Sheet steel (enameled in black)
- **Bearings:** Maintenance-free ball bearings

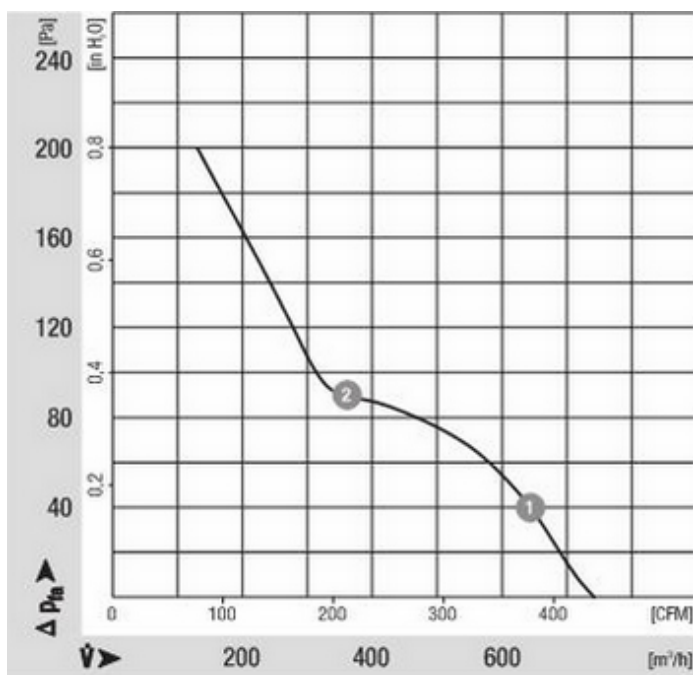
Nominal data		Voltage	Frequency	Air flow	Speed	Power consumption	Current draw	Capacitor capacity	Sound pressure level	Operative range 50Hz	Weight
Type	Motor	1- VAC	Hz	m ³ /h	1/min	W	A	uF/V	dB(A)	Pa	kg
A2E200AF0202	M2E068CA	230	50	740	2740	50	0.24	1.5 / 400	65	0 .. 200	1.4

Subject to modification

Characteristic: Pressure over air flow at 50Hz

n	P ₁	I	LpA	ntL
[1/min]	[W]	[A]	[dBA]	[%]

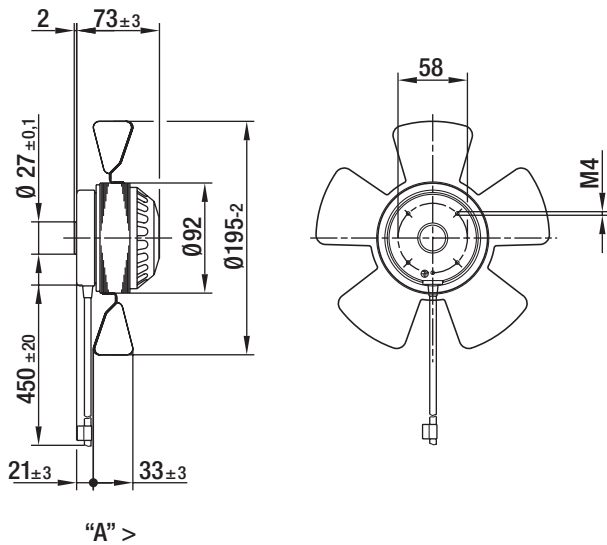
1	2670	51	--	--	--
2	2670	50	--	--	--



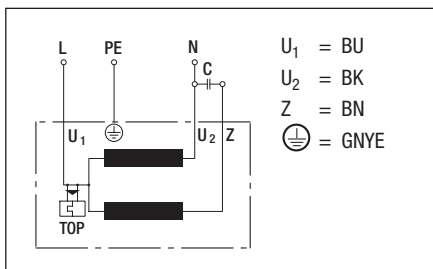
AC axial fan

A series

Specific drawing



Connection illustration



Technical description

- **Design:** Without guard grille and wall ring
- **Bearings:** Maintenance-free ball bearings
- **Direction of flow:** "A"
- **Cable layout:** Variable
- **Insulation class:** "B"
- **System of protection:** IP 44
- **Impeller material:** Sheet steel (enameled in black)
- **Direction of rotation:** Right, looking at rotor
- **Number of impeller blades:** 5
- **Operating mode:** S1
- **Protection class:** I

Contact

ebm-papst Mulfingen GmbH & Co. KG
Bachmühle 2
D-74673 Mulfingen
Phone +49 (0) 79 38 / 81-0
Fax +49 (0) 79 38 / 81-110
info1@de.ebmpapst.com
www.ebmpapst.com