

A2E300-AP02-01

# AC axial fan

sickled blades (S series)



## Nominal data

Type	A2E300-AP02-01		
Motor	M2E074-DF		
Phase		1~	1~
Nominal voltage	[V]	230	230
Frequency	[Hz]	50	60
Type of data definition		rfa	rfa
Valid for approval / standard		CE	CE
Speed	[min <sup>-1</sup> ]	2700	3000
Power input	[W]	230	350
Current draw	[A]	1.10	1.55
Motor capacitor	[μF]	8	8
Capacitor voltage	[VDB]	400	400
Max. back pressure	[Pa]	200	50
Max. ambient temperature	[°C]	50	40

ml = max. load · me = max. efficiency · rfa = running at free air · cs = customer specs · cu = customer unit  
Subject to alterations

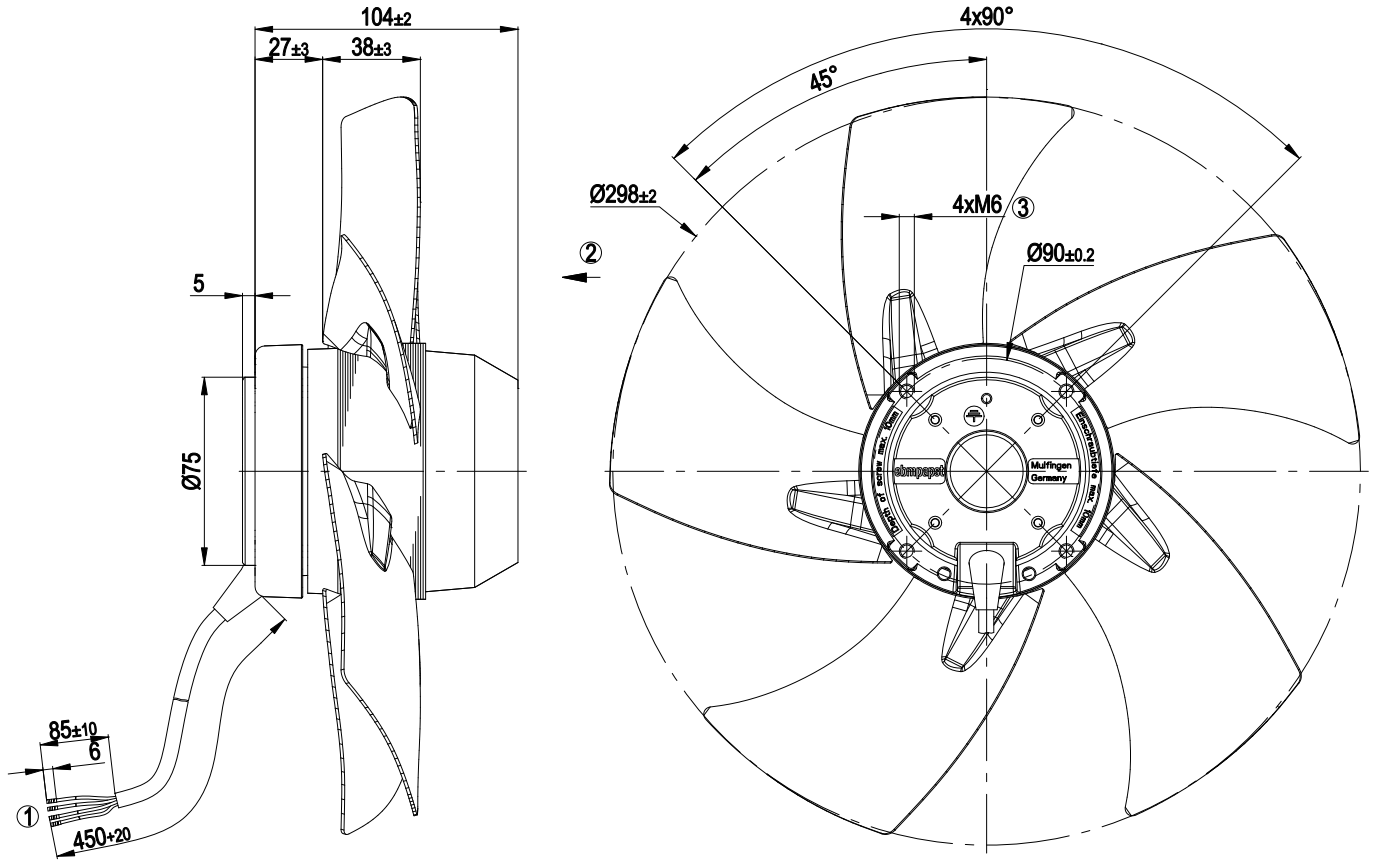
# AC axial fan

sickled blades (S series)

## Technical features

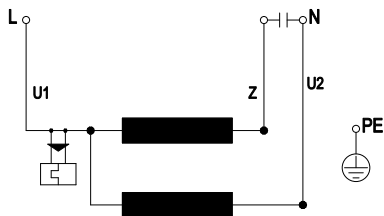
Leakage current	< 0.75 mA
Size	300 mm
Operation mode	S1
Direction of rotation	Counter-clockwise, seen on rotor
Mounting position	Shaft horizontal or rotor on bottom; rotor on top on request
Humidity class	F1-2
Direction of air flow	"V"
Insulation class	"B"
Cable exit	Variable
Condensate discharge holes	Rotor-side
Bearing motor	Ball bearing
Mass	3.1 kg
Material of blades	Sheet steel, coated in black
Motor protection	Thermal overload protector (TOP) wired internally
Product conforming to standard	CE; EN 60335-1
Surface of rotor	Coated in black
Number of blades	5
Type of protection	IP 44
Protection class	I
Max. permissible ambient motor temp. (transp./ storage)	+ 80 °C
Min. permissible ambient motor temp. (transp./storage)	- 40 °C
Approval	CCC

## Product drawing



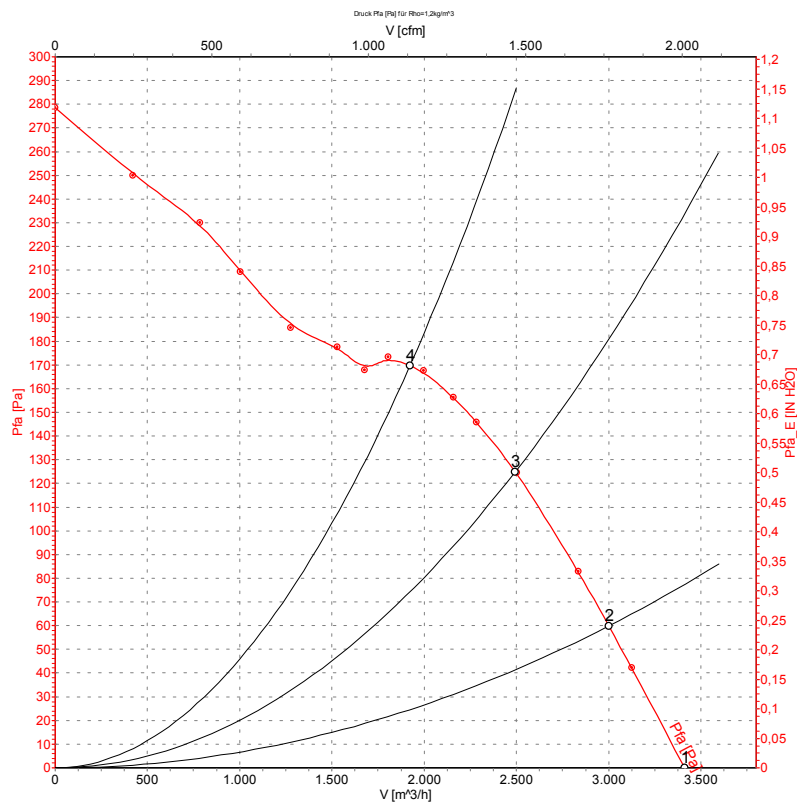
- |   |  |
|---|--|
| 1 | Connection line PVC, 4x brass lead tips crimped        |
| 2 | Direction of air flow "V"                              |
| 3 | Direction of rotation counter-clockwise, seen on rotor |

## Connection screen



U1	blue	Z	brown	U2	black
PE	green/yellow				

## Charts: Air flow 50 Hz

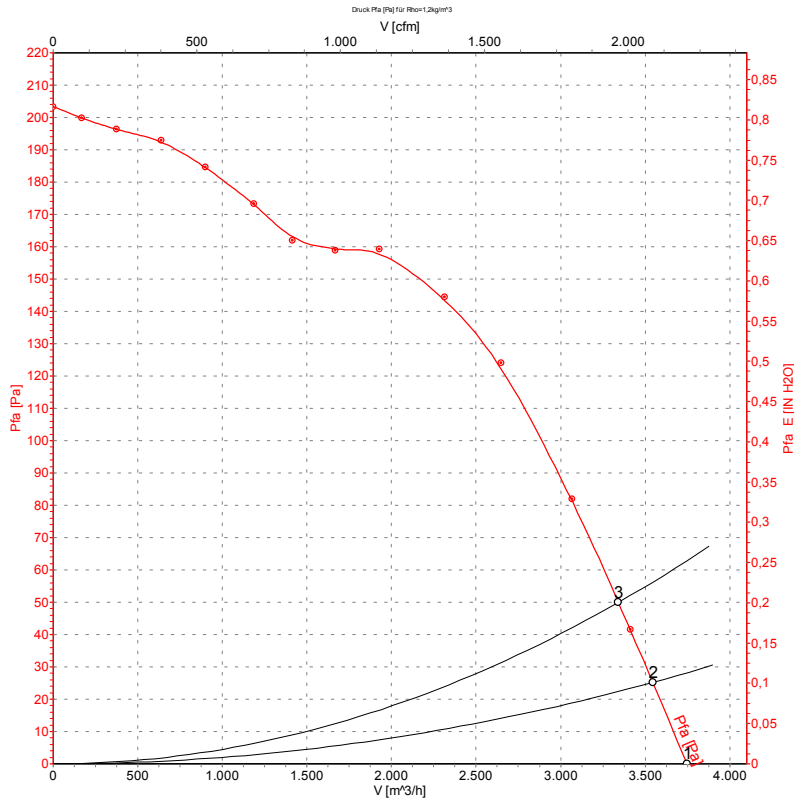


Measurement: LU-29177

## Measured values

	U	f	n	P <sub>1</sub>	I	$\dot{V}$	P <sub>fa</sub>
	[V]	[Hz]	[min <sup>-1</sup> ]	[W]	[A]	[m³/h]	[Pa]
1	230	50	2730	230	1.10	3410	0
2	230	50	2680	255	1.12	3000	60
3	230	50	2600	279	1.22	2495	126
4	230	50	2520	303	1.32	1925	170

## Charts: Air flow 60 Hz



Measurement: LU-29105

### Measured values

	U	f	n	P <sub>1</sub>	I	$\dot{V}$	P <sub>fa</sub>
	[V]	[Hz]	[min <sup>-1</sup> ]	[W]	[A]	[m <sup>3</sup> /h]	[Pa]
1	230	60	3000	350	1.55	3745	0
2	230	60	2940	355	1.58	3545	25
3	230	60	2885	362	1.60	3340	50